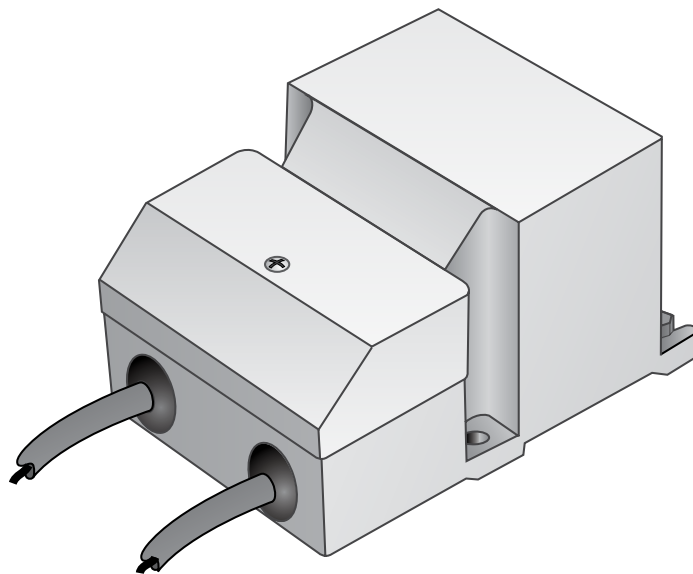


# SYST TS-1

Double-insulated protective transformer

2012-08-06



## SYST TS-1 TRANSFORMER

Double-insulated protective transformer

Designation: SYST TS-1 72VA 3,15 A TRAFÓ

Power: 72 VA

Encapsulation: Fully moulded. Plastic casing.

Protection class: IP 44

Primary side: 230 V AC, 50-60 Hz. Connection via wall plug (SE). Cable length: 2m.

Secondary side: 24 V AC. T3,15 A, secondary fuse. (20X5 mm Time-Lag T glass fuse) Connecting cable, length = 1 m, with 2 branches, (2x2x0,35mm<sup>2</sup>).

The transformers are calculated for ambient temperature 40°C and of temperature class E.

Mounting: Mounting holes on outside of casing

Weight: 1,2 kg

Measurements: 75x65x120mm

This product CE-marked and fulfils EU requirements on EMC and LVD. Free from PVC and Halogen.

SYST TS-1