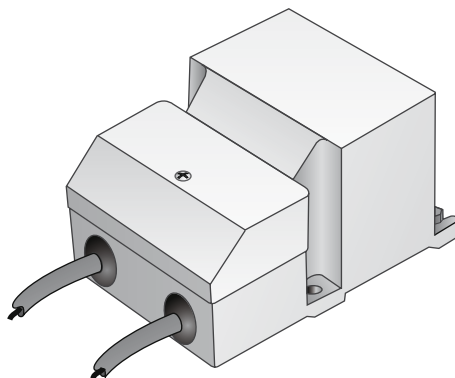


# LUNA c TS

---

## Compliance Declaration

CE



Swegon AB declares that the specified product with incorporated components has been manufactured in accordance with the EC Low Voltage Directive 2006/96/EG including amendments. The Electromagnetic Compatibility Directive 89/336/CEE including amendments. The RoHS Directive 2002/95/EC including amendments.

Standards referred to:        EN 61558-1:1997 incl. A1:1998  
   EN 61558-2-6

This declaration is valid on condition that the product has been assembled and wired according to applicable instructions and no changes have been made in the product. The product is manufactured by Transformator-Teknik i Åmål AB, Åmål, Sweden.

Arvika, March 14, 2012

---

Niclas Olsson, Product Director