

# PARASOL™ PF

PlusFlow variant with extra high rates of airflow



## General

In addition to the existing PARASOL product range we can now offer a unit that handles larger air volumes.

This makes PARASOL Plus Flow suitable in areas that demand higher air flow rates, for example conference or meeting rooms and hospital wards. The total amount of air can now be distributed to the room, at a lower pressure setup and with less installation in the ceiling.

In a conference room for 12 people, Parasol Plus Flow can fulfill the high demand on ventilation and comfort using 2 units rather than 4 required previously, reducing installation time and easing coordination within the ceiling.

## Quick facts

Primary Air flow		Total pressure (Pa)	Sound level (dB(A))	Total cooling capacity (W)	Nozzle configuration
m <sup>3</sup> /h	l/s				
144	40	46	23	830	LLLL
180	50	72	29	1024	LLLL
216	60	73	30	1145	MMHM
252	70	73	30	1242	HHHH

## PARASOL PF

# Ground-breaking Comfort Modules that provide the highest degree of comfort

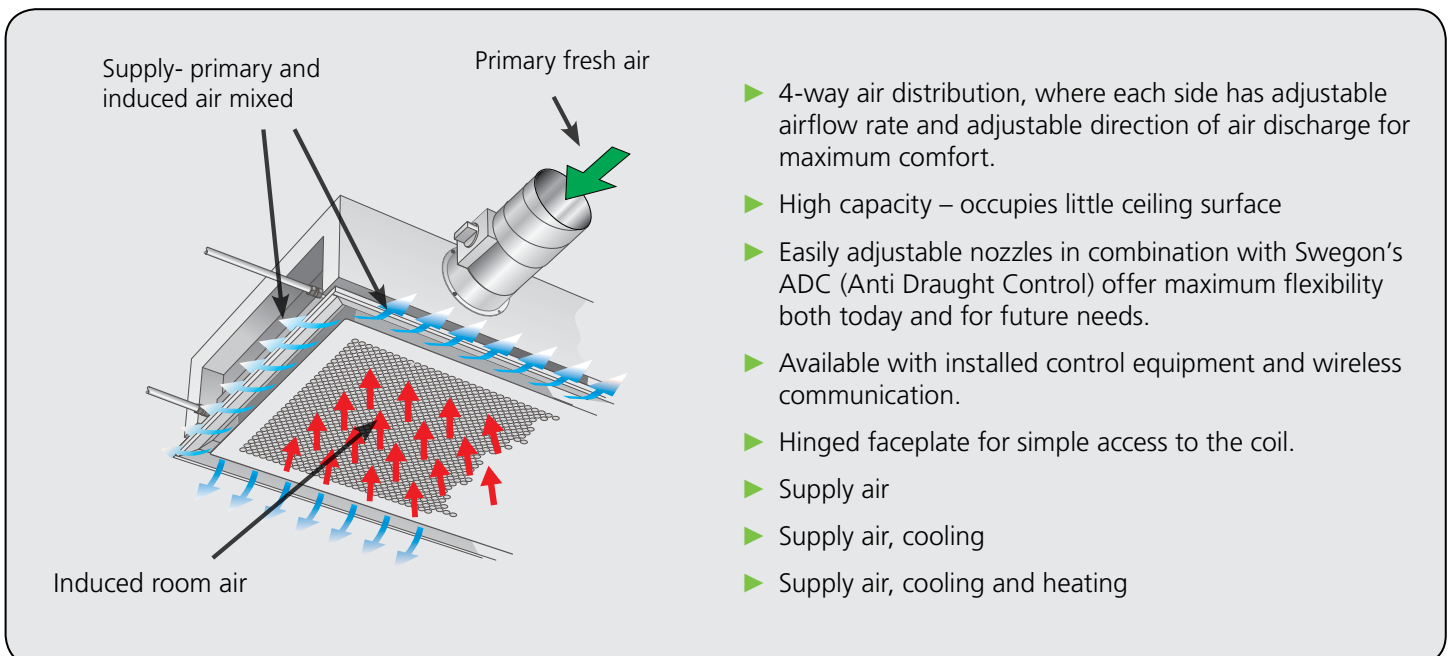


- ▶ Highest comfort
- ▶ Great flexibility
- ▶ Low sound level
- ▶ Heating, cooling and ventilation in one unit

- ▶ A new opportunity in Conference rooms and other areas with demands of high air volume and normal/high cooling capacity
- ▶ Available in size 1200, with 160 dia Connection
- ▶ High air flow capacity: 70 l/s (252 m<sup>3</sup>/h) at 73 Pa
- ▶ Cooling capacity at 73 Pa and 70 l/s (252 m<sup>3</sup>/h), 1242 W ( $\Delta T_m$  8,5 K,  $\Delta T_l$  6K)
- ▶ Sound level 30 dB (A) at 70 l/s

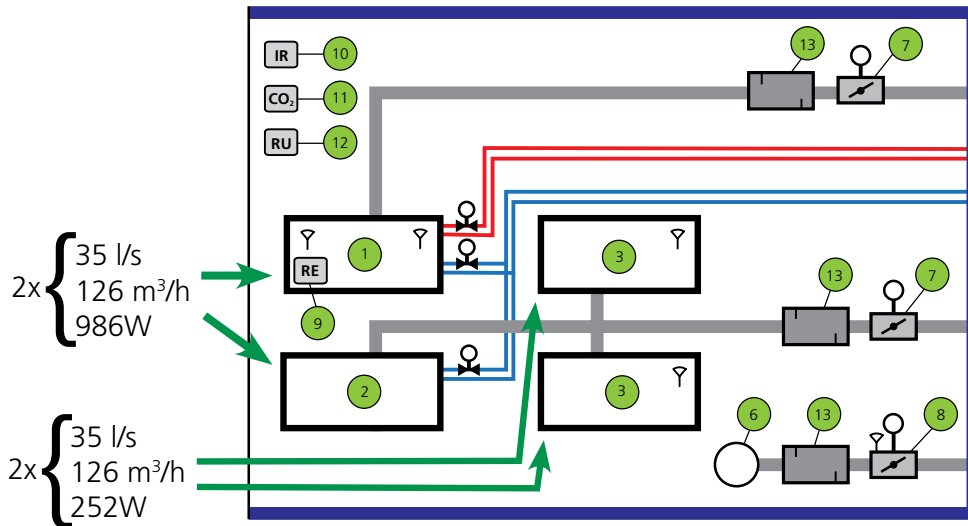


Swegon participates in the ECC Programme for climate beams (chilled beams). Check the validity of the current certificate at [www.eurovent-certification.com](http://www.eurovent-certification.com) or [www.certiflash.com](http://www.certiflash.com).

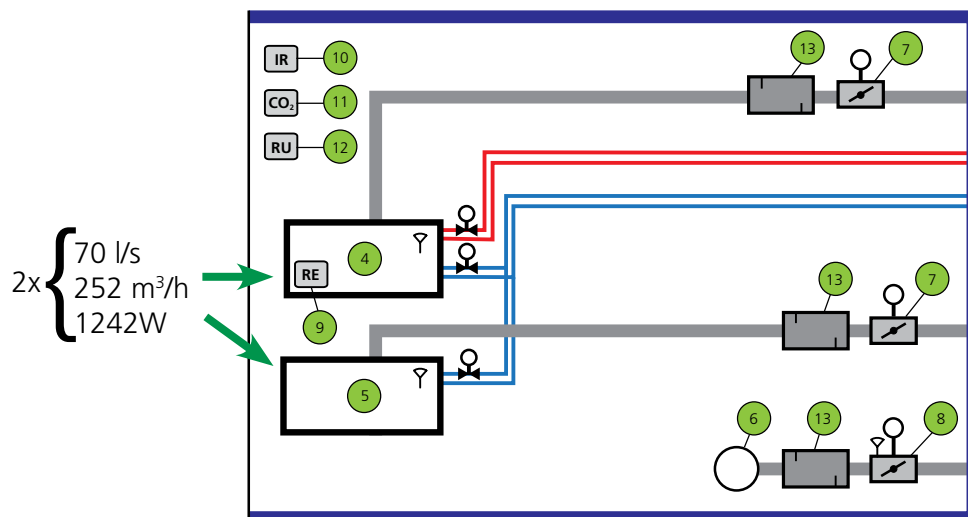


# Reduces total room installation costs

## Minimizes amount of installed units for same airflow



In total:  
140 l/s  
504 m<sup>3</sup>/h  
2476 W  
(cooling)



In total:  
140 l/s  
504 m<sup>3</sup>/h  
2484 W  
(cooling)

1. PARASOL comfort module with supply air/heating/cooling incl. Valves, actuators and pressure sensor.
2. PARASOL comfort module with supply air/cooling incl. Valve, actuator and pressure sensor.
3. PARASOL comfort module with supply air or air diffuser capable of handling VAV-flow and high supply air temperature.
4. PARASOL PF comfort module with supply air/heating/cooling incl. Valves, actuators and pressure sensor.
5. PARASOL PF comfort module with supply air/cooling incl. Valves, actuators and pressure sensor.
6. Extract air register or grille.
7. CRT supply air damper with actuator
8. SLAVE R - Flow controlling slave unit with pressure sensor
9. CONDUCTOR W4 regulator/ communication unit
10. Presence detector
11. CO<sub>2</sub> sensor
12. Wireless room unit with integrated temperature sensor
13. Attenuator, e.g. CLA

## Ordering Key, Parasol 1200 PF

Parasol	Parasol c	aaaa-	b-	PF-	defg
Version:					
Size (mm):					
1184; 1192; 1198; 1242;					
1248; 1292; 1342					
Function:					
A = Cooling and supply air.					
B = Cooling, heating and supply air					
Airflow variant					
PF = PlusFlow					
Nozzle setting:					
Side 1: L; M; H; C					
Side 2: L; M; H; C					
Side 3: L; M; H; C					
Side 4: L; M; H; C					

Available sizes and functions are shown in the ordering key in PARASOL Product sheet.

All accessories and factory mounted controls available for PARASOL will also fit PARASOL PF.

NOTE: When all adjustable nozzles are closed (CCCC), there will still be a flow of air through the unit since the PF module has double rows of nozzles. One row of nozzles are always open.



All data and selectable sizes, variants, accessories etc. are easily found in ProSelect