

# FRB<sub>C</sub>

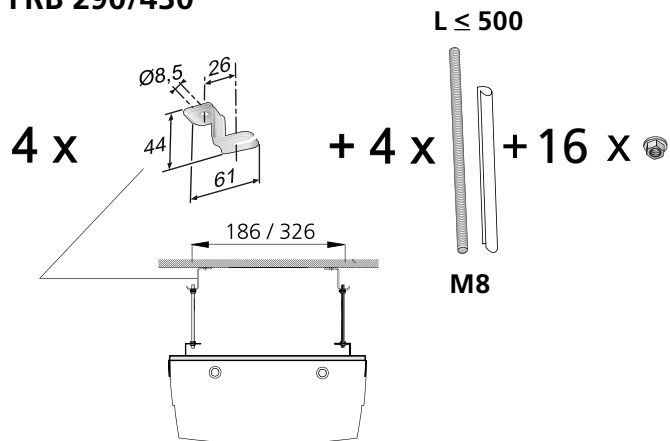
Installation – Maintenance

20180921

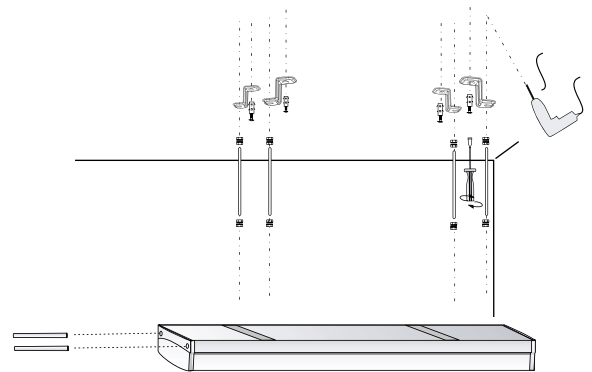
## Installation / Montering

**A**

**FRB 290/430**

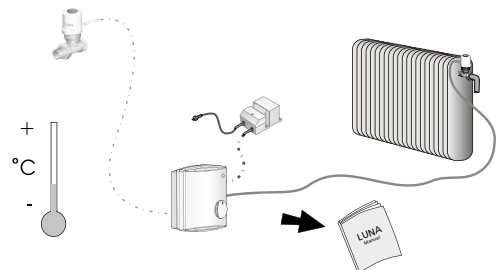
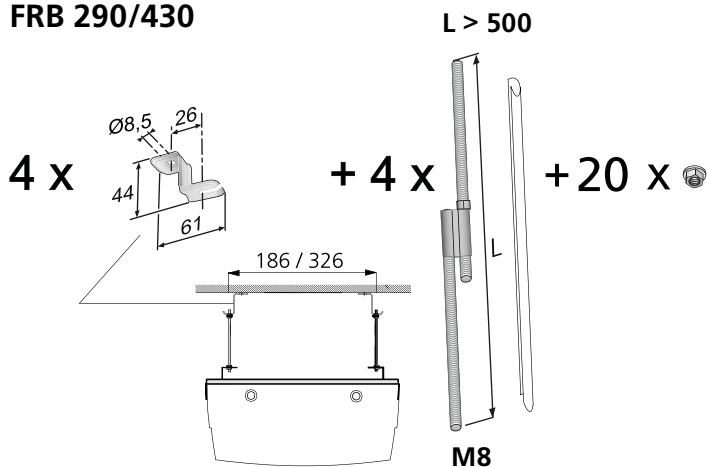


**A/B**



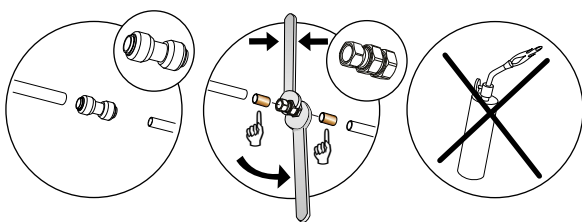
**B**

**FRB 290/430**



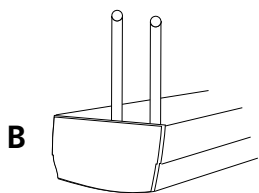
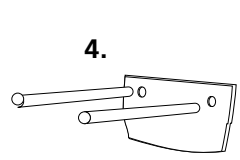
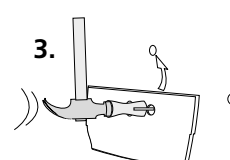
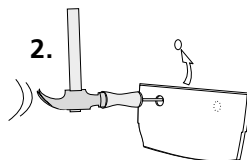
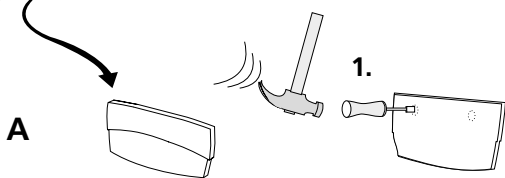
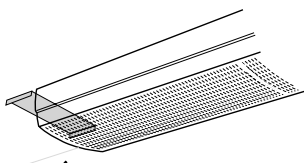
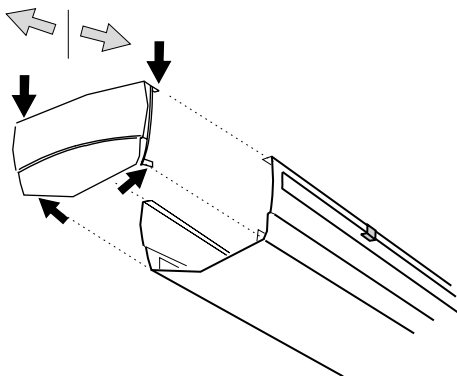
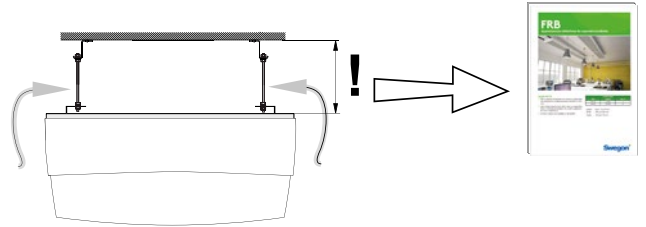
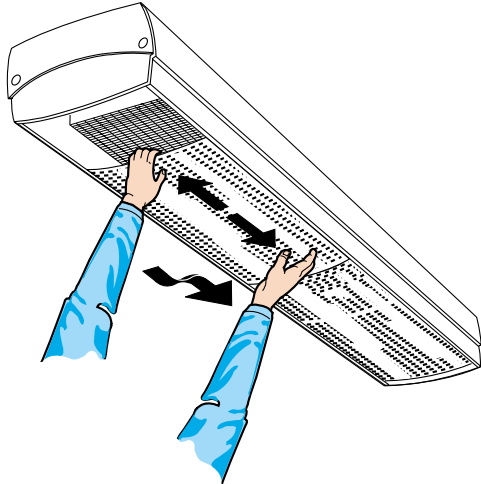
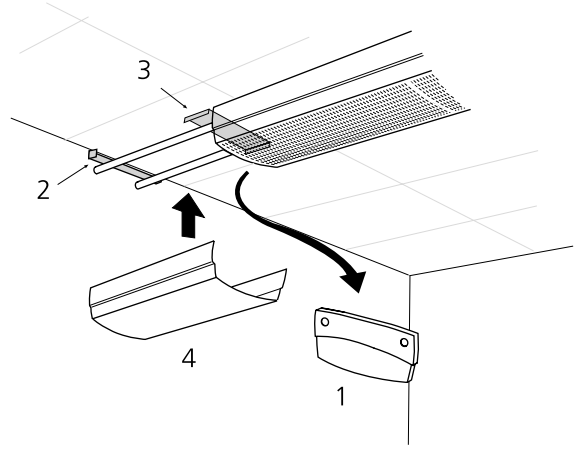
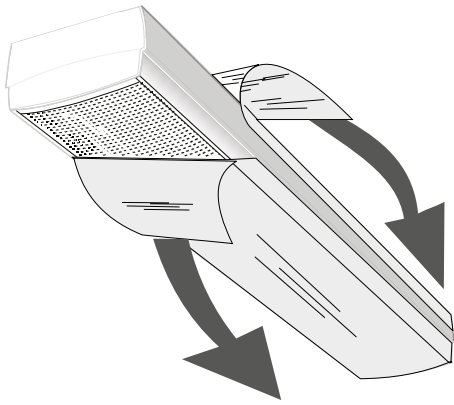
Cu Ø12 x 1 mm

Max. recommended operating pressure: 1600kPa



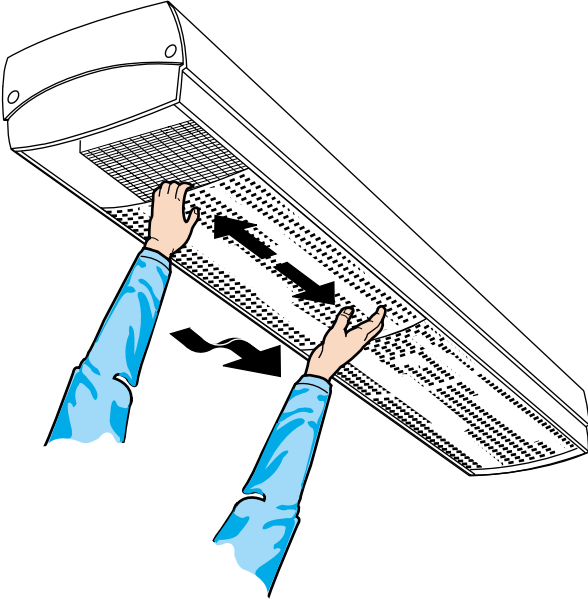
20-35 Nm

**Swegon**

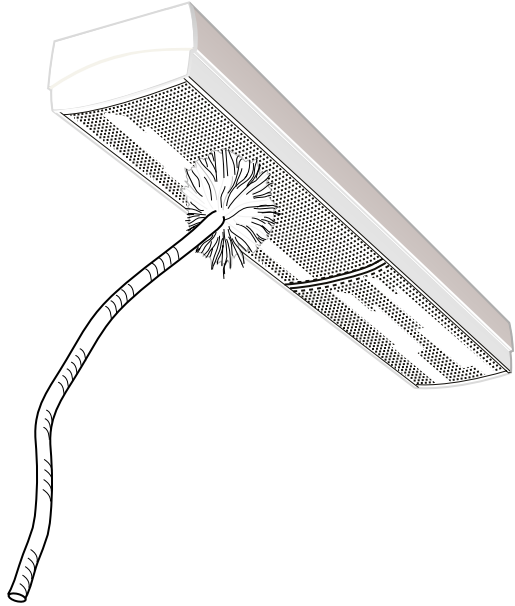


# Maintenance / Skötsel

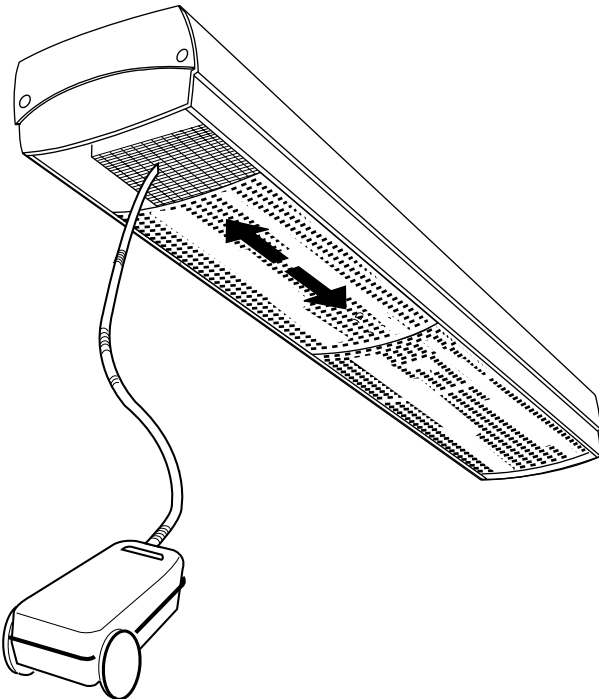
1



3



2





Art.No 942428006