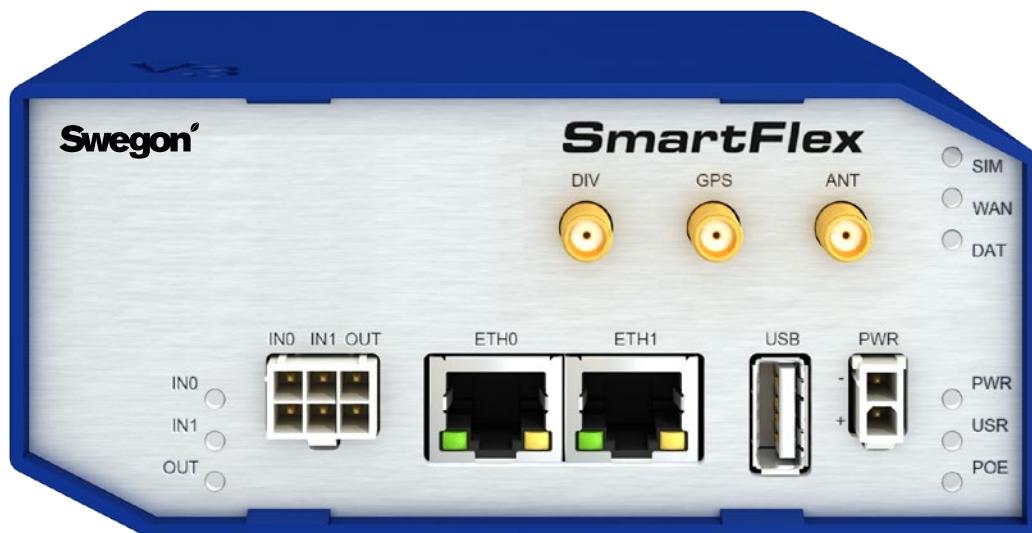


Swegon Connect

Installation instructions



Contents of package

- Router (pre-mounted SIM card included)
- Power supply
- Crossover UTP cable
- External antennas
- Holder for DIN rail mounting
- Installation instructions

Mount and use

First use

Before you put router into operation, it is necessary to connect components that are needed to run your application.

Antenna

Connect the external antenna to the ANT connection on the router. Please use the accessory TBRX-1-12, either 1 or 10 meters, if you need to extend the antenna cable.

The router cannot operate without antenna attached, SIM card inserted (pre-mounted) and power supply connected.

The router must be connected to antenna while in operation, otherwise damage to the router may occur.

Use SMA connector for antenna connection. Antenna is primarily connected by screwing at ANT, see figure 1. An additional antenna can be connected at DIV for better signal strength.

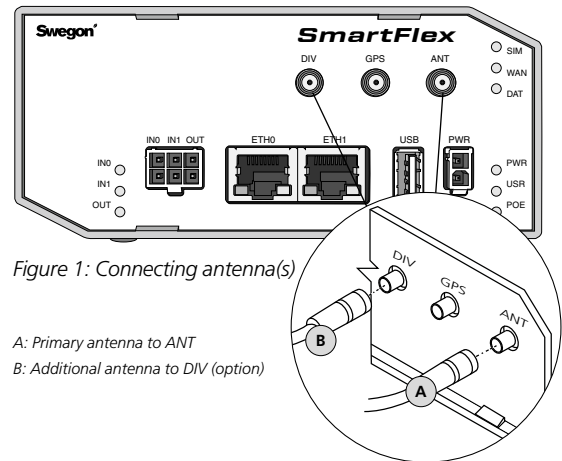


Figure 1: Connecting antenna(s)

- A: Primary antenna to ANT
- B: Additional antenna to DIV (option)

Network (Ethernet)

The router have by default a standard network port (ETH1) for connecting products, see figure 2. If additional connections are required use the accessory Switch.

Use the router's other network port (ETH0) when you want to connect to a building network or a BMS system.

*** Please contact Swegon for adapting the router to a BMS connection.**

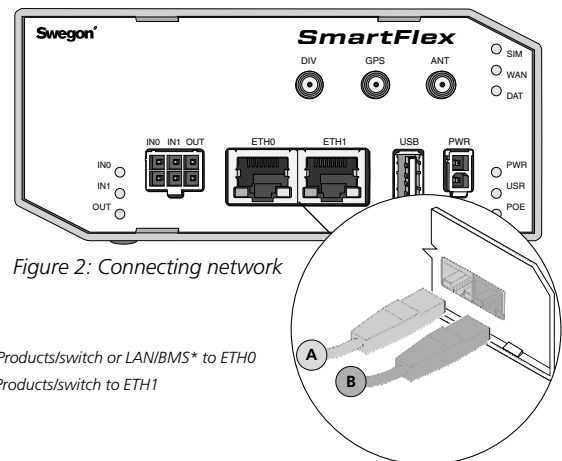


Figure 2: Connecting network

- A: Products/switch or LAN/BMS* to ETH0
- B: Products/switch to ETH1

Power

The supplied transformer must always be used for connecting to the power grid. First connect the power cable to the router and tighten the connector screws.

Then connect the transformer's power plug to an electrical outlet.

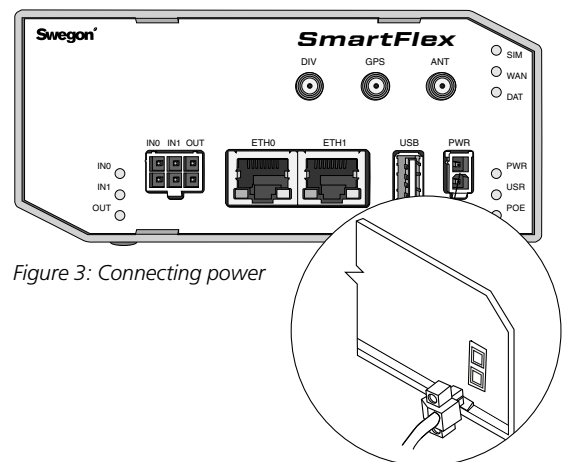


Figure 3: Connecting power

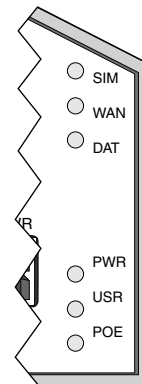
Mount and use

Router status

See LED indicators on the router's front panel for status information.

| Caption | Colour | State | Description |
|---------|--------|---------------|--|
| PWR | Green | Blinking / On | Router is ready / Router is starting |
| SIM | Green | On | SIM card active |
| WAN | Yellow | — | See Swegon Connect web manual for detailed information |
| DAT | Red | Blinking | Communication in progress on radio channel |

See Swegon Connect web manual for detailed information about all LED indicators.



Setting up the router

See Swegon Connect web manual for instructions. The document can be downloaded from www.swegon.com

Position of the router

Mount the router in a position with good mobile communication signal strength. If necessary, use the extra antenna (accessory) to ensure sufficient signal strength.

Mounting router on DIN rail

You can mount the router on any standard DIN rail with the supplied DIN holder. The DIN holder can be mounted on the bottom or on the back of the router. It is possible to mount the holder in any direction for maximum flexibility.

When the DIN holder is mounted on the router you can snap it onto a standard DIN rail.



Figure 6: DIN holder mounted on the back of the router

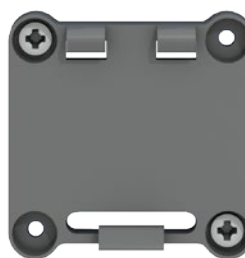


Figure 7: DIN holder

Removing router from DIN rail

Remove the router from the DIN rail by lightly pushing it upwards so that its top part snaps out from the rail and then fold the router out of position.

Contents of package

The package contains these parts:

- Router (pre-mounted SIM card included)
- Power supply
- Crossover UTP cable
- External antennas (indoor use only)
- Holder for DIN rail mounting
- Installation instructions



Figure 8: Router *



Figure 9: Standard parts included in package

| Technical data | |
|--|---|
| Power supply | 230V AC, max. 10A |
| Frequency | 4G 800, 900, 1800, 2100, 2600 MHz 3G 900/2100 MHz GSM 850/900/1800 och 1900 MHz |
| Speed | LTE 100 Mbit/s (down), 50 Mbit/s (up) HSPA+ 21,1 Mbit/s (down), 5,76 Mbit/s (up) |
| Support for | SNMP, SNMP traps, DHCP, NAT, NAT-T, IPsec, OpenVPN, L2TP, VRRP, PPPoE Bridge, DynDNS, NTP, VRRP, HTTPS, SSH, OSPF, RIP, BGP, QoS, RIP, BGP, OSPF, PPTP, control via SMS etc |
| Interfaces | Ethernet, USB-Host (type A), I/O-port |
| Interface (optional) | 7 x extra port Ethernet (switch) |
| Antenna connector | SMA 50 Ω (4G/3G/LTE450/GPS), RP-SMA 50 Ω (WiFi) |
| CE-approved to | EN 301 511, EN 301 908-1, EN 301 908-2, EN 301 908-13, EN 301 489-1, EN 60950-1 |
| Enclosure | IP30 (IP65 with electrical cabinet) |
| Ambient temperature at relative humidity | -40 till +75°C 0–95 % |
| Dimensions (W x H x D) | 55 x 97 x 125 mm |
| Weight | 310 g |

Accessories

Swegon Connect can be equipped with an extra antenna and an extension cable to be mounted in a location where better signal strength is obtained.

An Ethernet switch can be added for connecting up to 7 products

- Extra antenna (indoor and outdoor use)
- Extension cables (1 or 10 meters)
- Ethernet switch (for connecting up to 7 products)
- Electric cabinet (IP65)

See product sheet for more information about accessories



Figure 10: Extra antenna (accessory)



Figure 11: Extension cable for antenna, 1 meter or 10 meters (accessory)



Figure 12: Switch (accessory)



Figure 13: Electric cabinet (accessory)

* Swegon Connects router is of the model – Advantech Cellular LTE Router (SR30300011)