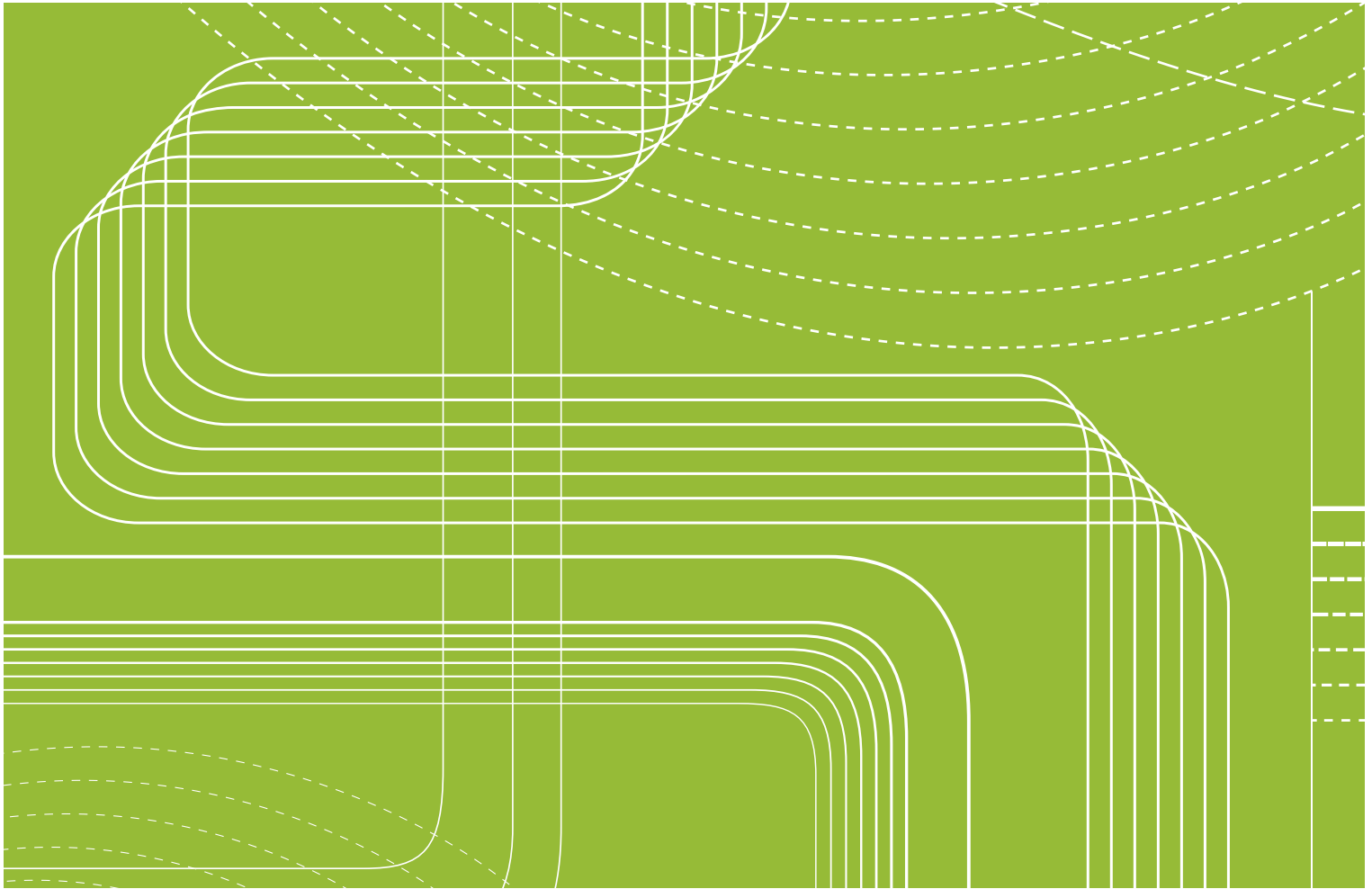


Connecting Super WISE



Fundamental solutions for connecting Super WISE to BMS, Building Management Systems.

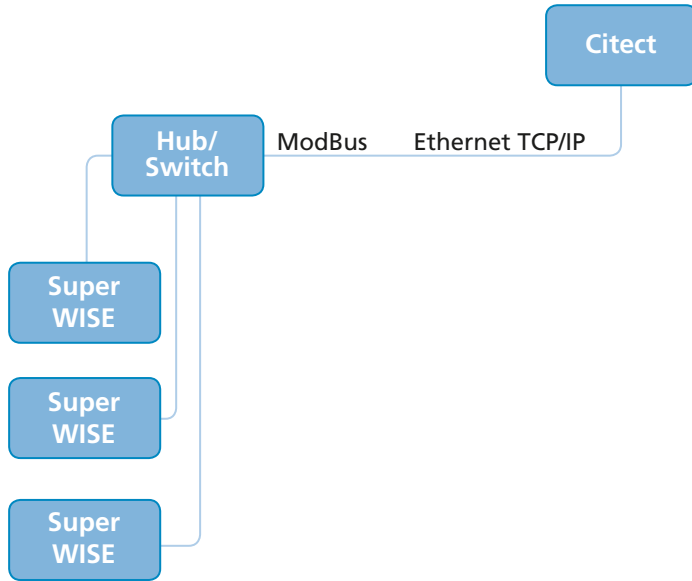
Need help?

Do you have any questions or want help? Get in touch with your nearest Swegon Representative. Contact information is available at our home page, www.swegon.com.

Fundamental solutions for connecting Super WISE to the following main control systems:

Citect.....	2
Honeywell.....	4
iFIX.....	5
Ouman.....	6
Regin/Exomatic.....	8
SATCHWELL.....	10
Siemens.....	11
TAC.....	13
Super WISE Web.....	15

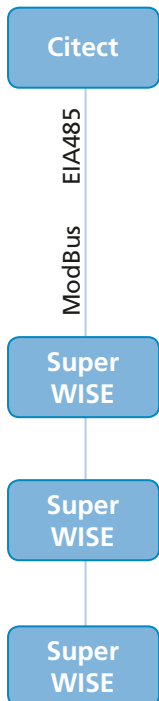
Citect vs Super WISE TCP/IP Modbus



Connect the Super WISE and Citect to the same conventional TCP/IP network.

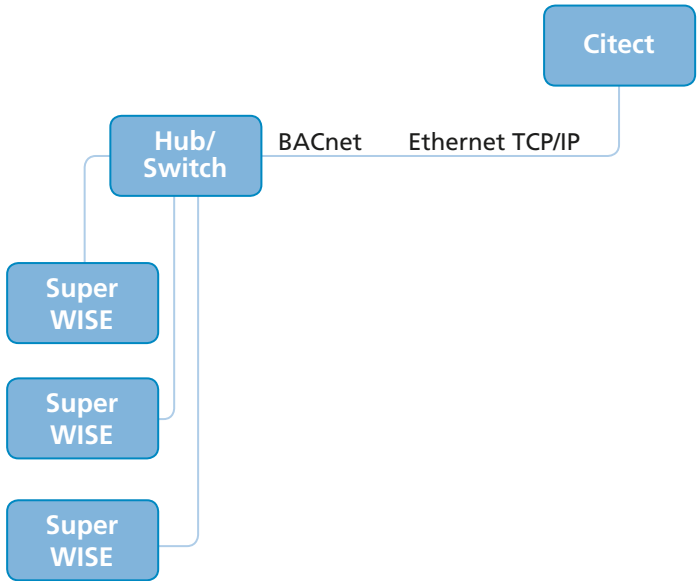
Citect includes a driver for ModBus TCP. This is used for communication with the Super WISE.

Citect vs Super WISE EIA485



Connect the Super WISE and Citect via EIA485. The driver for ModBus RTU included in Citect is used.

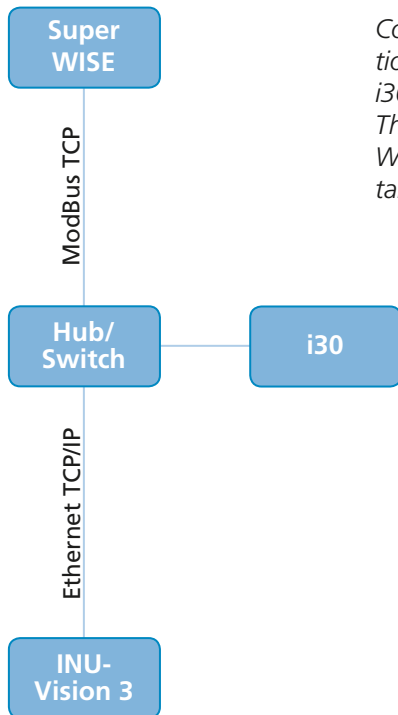
Citect vs Super WISE TCP/IP BACnet



Connect the Super WISE and Citect to the same conventional TCP/IP network.

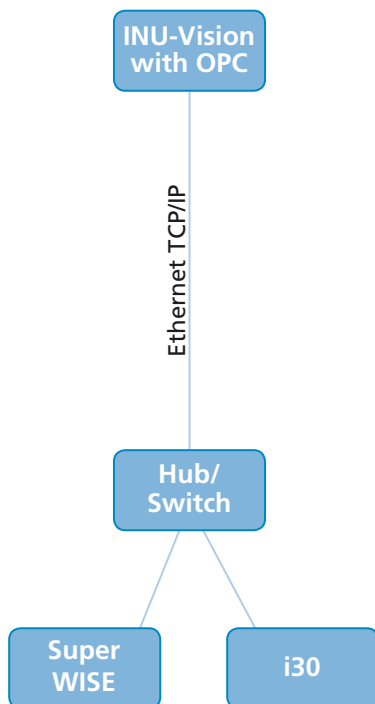
A driver for BACnet is included in the Citect. This is used for communication with the Super WISE.

Honeywell vs Super WISE i30



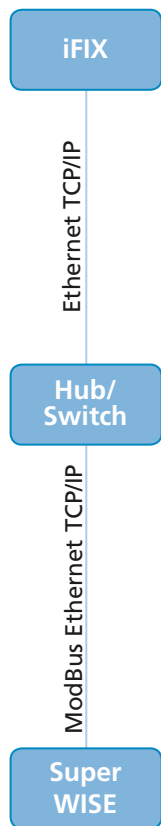
Connect the Super WISE to a conventional office computer network. An i30 is also included in this network. This i30 can now talk to the Super WISE via ModBus TCP. The i30 then talks to INUVision in its own way.

Honeywell vs Super WISE OPC ModBus/BACnet



Connect the Super WISE to a conventional office computer network. The INUVision 3 SCADA system is included in the same network. INUVision 3 has support for OPC. The Super WISE and INUVision can talk directly to one another via the OPC function. This arrangement however requires an OPC server for ModBus or BACnet.

iFIX vs Super WISE TCP/IP ModBus/BACnet



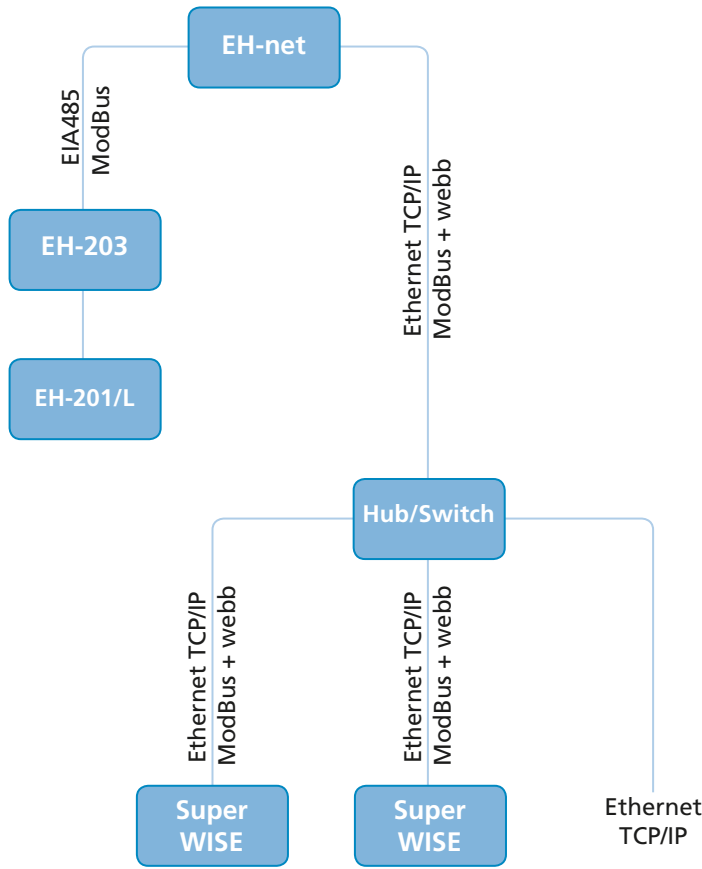
Connect both systems to a conventional office computer network via hubs and switches. This arrangement in iFIX requires a driver for ModBus or BACnet.

iFIX vs Super WISE EIA485



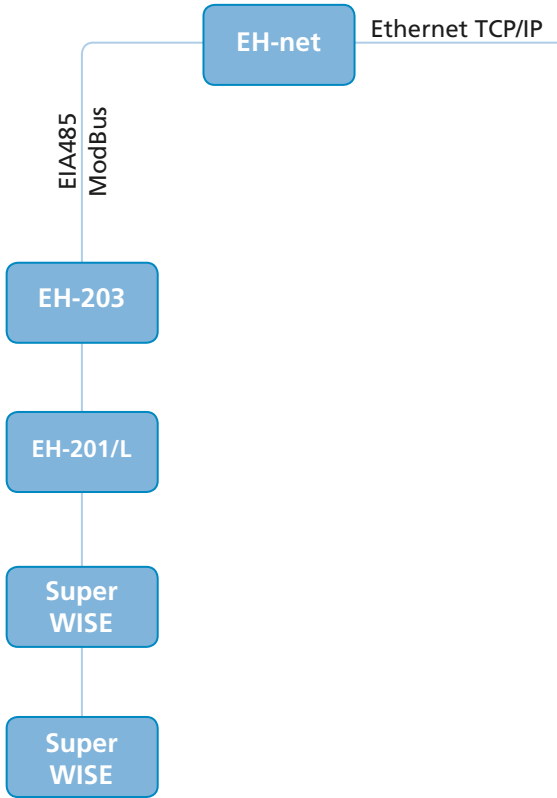
Connect the Super WISE via EIA485 to the iFIX. Select ModBus as the language. The iFIX must have a ModBus driver and a network card for EIA485.

Ouman vs Super WISE Ethernet TCP/IP



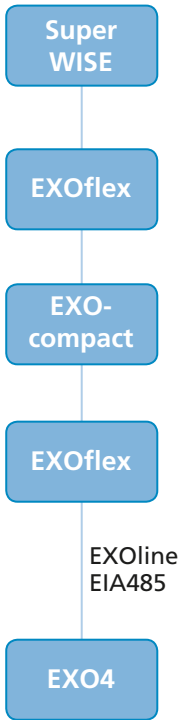
The EH-net manages Ouman's own controllers here via ModBus EIA485 and mirrors selected values on a web page. The EH-net can also via Ethernet TCP/IP talk to the Super WISE via ModBus TCP and mirror selected values on a web page. There is also provision here for using the Super WISE built-in web server function and web pages. A smaller number of values can then be mirrored in EH-net for supervising the day-to-day operation and alarm management. Create a link in the EH-net to the Super WISE web page for increased communication with the Super WISE.

Ouman vs Super WISE EIA485



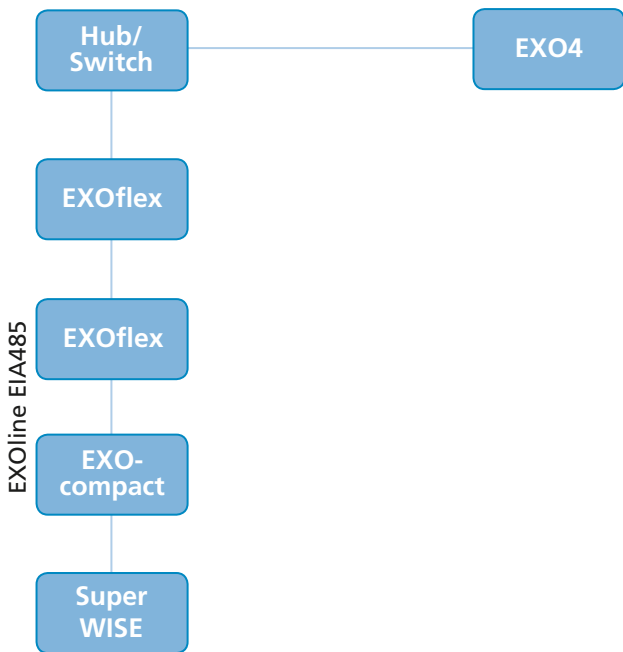
Connect the Super WISE to the same ModBus EIA485 loop as other Ouman controllers. EH-net is a web server that mirrors the selected values on a web page. Communication is two-way.

REGIN/EXOMATIC vs Super WISE EXOline EIA485



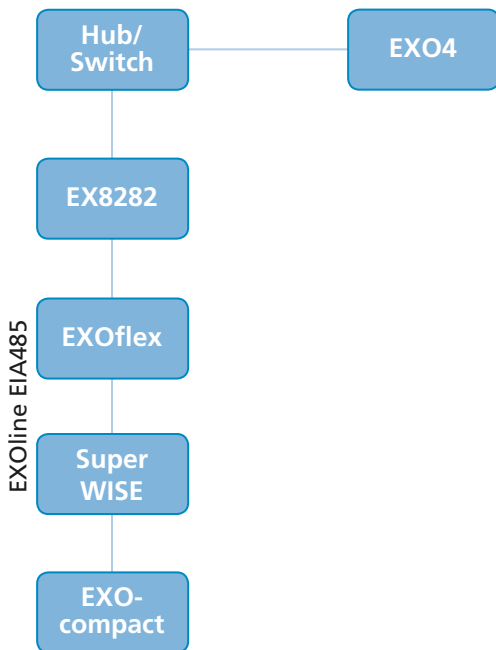
Connect the Super WISE directly to the EXOline bus. In this case the Super WISE is regarded as an Exomatic expansion module.

REGIN/EXOMATIC vs Super WISE EXOline EIA485



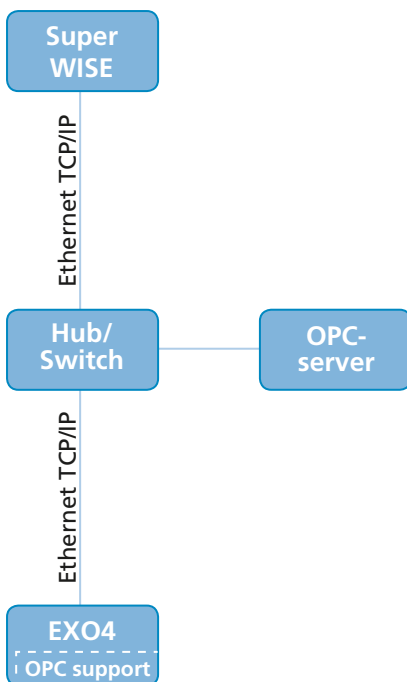
Connect the Super WISE directly to the local EXOline bus. An EXOflex then handles the traffic between the EXO4 and Super WISE.

REGIN/EXOMATIC vs Super WISE EXOline till TCP/IP



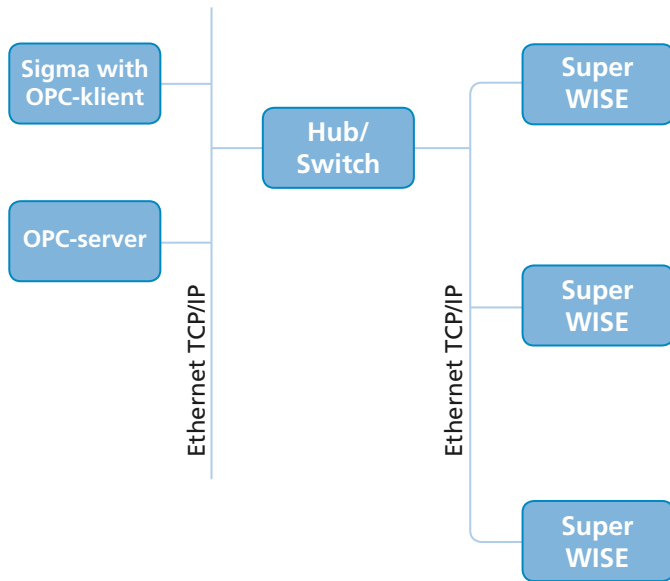
Connect the Super WISE directly to the local EXOline bus. One of Exomatic's microprocessor substations handles the traffic on the bus and the Super WISE is regarded as an expansion unit. EX8282 translates ExoLine 485 to ExoLine TCP/IP and handles the traffic with EXO4.

REGIN/EXOMATIC vs Super WISE EXO4 OPC TCP/IP



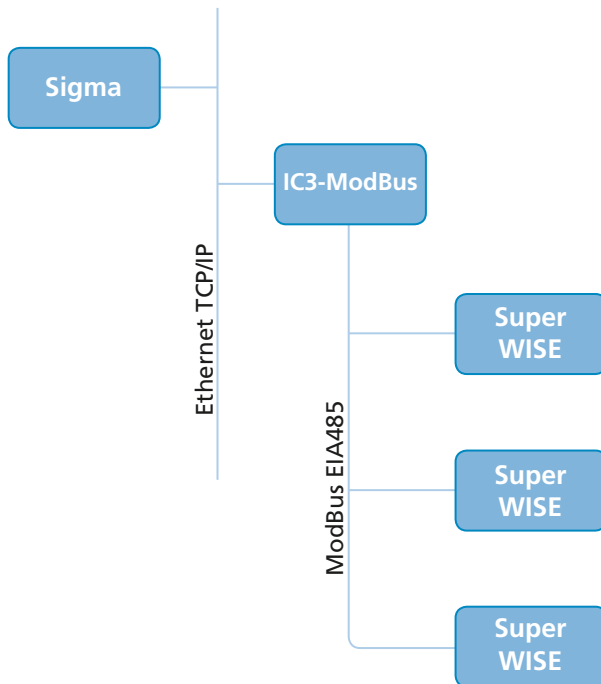
Connect the Super WISE in the same TCP/IP network as the EXO4. The newer EXO4 versions have support for OPC. An OPC server is now required for ModBus TCP. This can be installed in the same computer as EXO4 or any other computer in the network. The Super WISE talks to the OPC server which in turn talks to EXO4.

SATCHWELL vs Super WISE OPC ModBus/BACnet



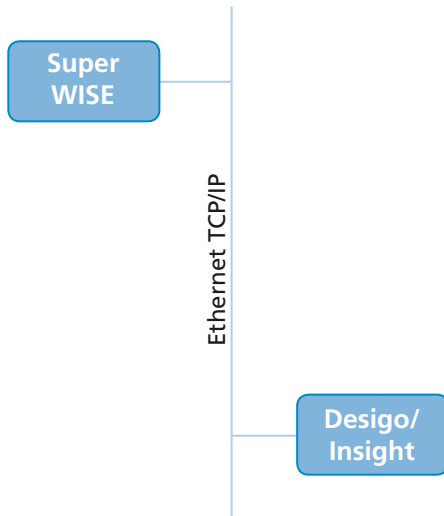
Sigma's capabilities and support are used here for OPC. This arrangement however requires an OPC server for ModBus or BACnet. It can be a stand-alone unit or software in the same computer as Sigma. The OPC server talks to the Super WISE. The Sigma talks via its OPC client with the OPC server. The user notices no difference between the Super WISE and ordinary Sigma equipment.

SATCHWELL vs Super WISE EIA 485



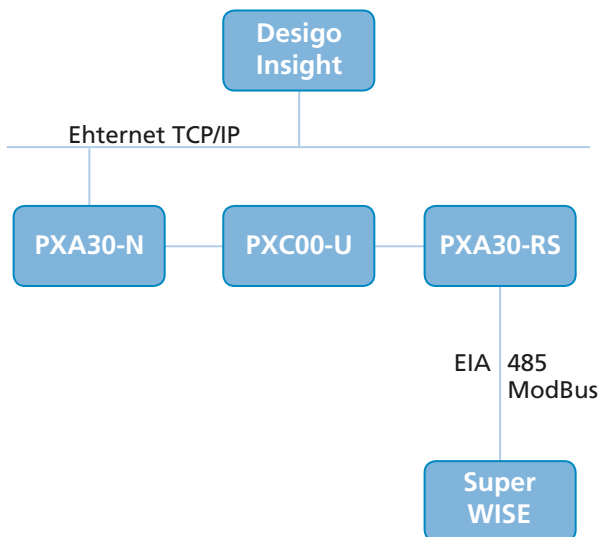
Connect the Super WISE to the IC3-ModBus via ModBus RTU or EIA 485. The Sigma should be a Version 3 or better.

SIEMENS vs Super WISE TCP/IP ModBus



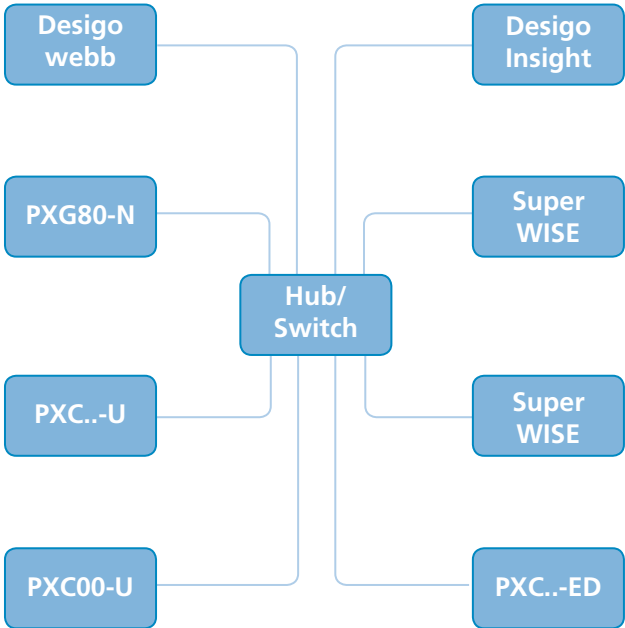
Connect the Super WISE and Desigo/Insight to the same TCP/IP network. Desigo/Insight has a driver for ModBus TCP. The display of data requires a number of "free licenses" in Desigo/Insight.

SIEMENS vs Super WISE EIA485



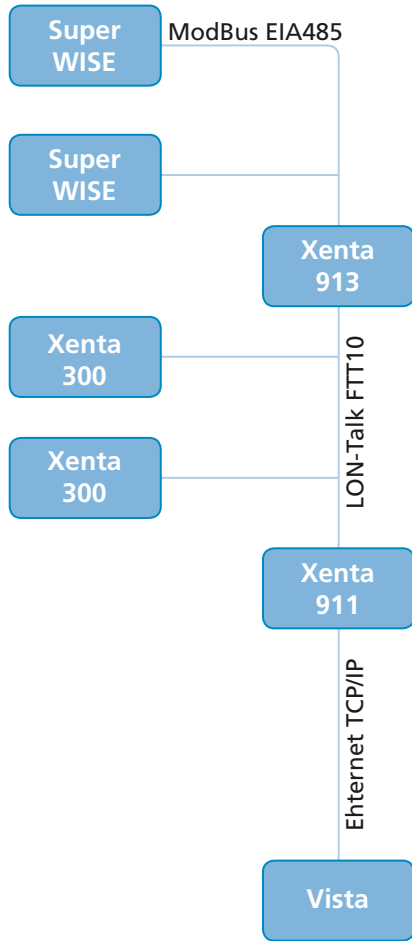
Connect the Super WISE to a PXC00-U with PXA30-RS additional card for communication with the Super WISE and a PXA30-N for communication with Desigo/Insight. Several Super WISE units can be connected to the same EIA485 bus. ModBus RTU is used here.

SIEMENS vs Super WISE TCP/IP BACnet



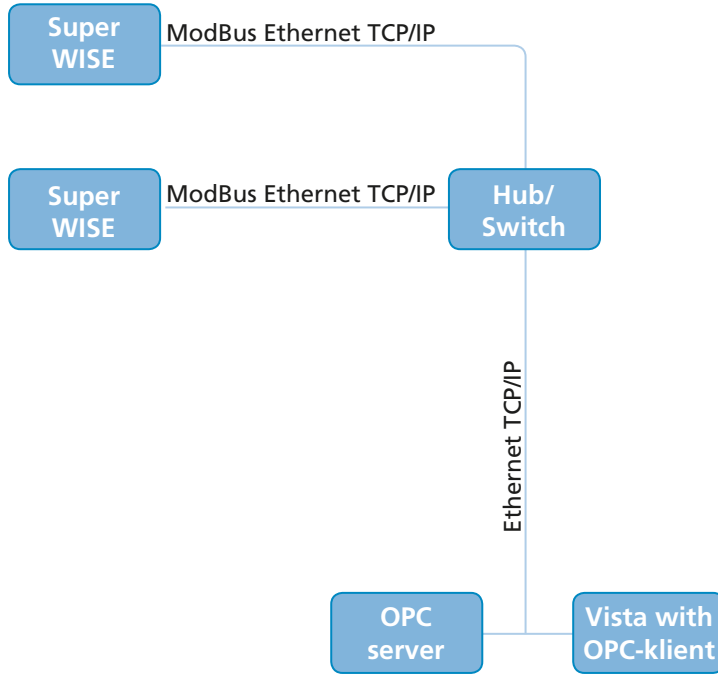
Connect the Super WISE to the same Ethernet network as the other Siemens products. These products can then read and write the values directly in the Super WISE via BACnet. Extra items of software or hardware are not required.

TAC vs Super WISE ModBus EIA485



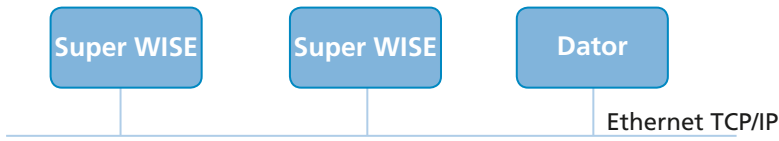
TAC equips the LON FTT-10 network with a Xenta 913 gateway. This then talks to ModBus RTU via EIA485 with the Super WISE. Some engineering work is required in the gateway. ModBus is then translated there to LON-talk and becomes like any LON nod in the network.

TAC vs Super WISE OPC



The TACVista's provisions and support for OPC are used here. This arrangement requires an OPC server for ModBus. This can either be a stand-alone unit or software in the same computer as TACVista. The OPC server talks to the Super WISE. The Vista talks via its OPC client to the OPC server. The user notices no difference between the Super WISE and ordinary TAC equipment.

Super WISE Webb



Connect the Super WISE and the computer with web browser to the same network. The web browser should be relatively modern, such as Explorer 6 or one that is similar to JAVA Version 6.

Open the web browser and specify the IP address to the OLD air handling unit of your choice. Log on the Super WISE and the SCADA system is ready.

Complete documentation is available at
www.swegon.com

EN-Connecting Super WISE 2010-03-22

