

# CRP<sub>C</sub>

Installation – Commissioning – Maintenance

20180327

## Accessories

### Actuator:

Sauter ASM115SK005 / ASM124SK002, 24V AC is the standard actuator and kept in stock.

Other actuators must be ordered, see actuator table page 3.

Wiring diagrams are displayed on page 2.

### Knob:

CRTT-1 for manual control.

### Quick connection:

FSR. Clamp with quick-acting lock.

## Installation

Insert the damper into the connecting duct and fix it in position with blind rivets or by means of an FSR clamp. See Figure 1.

## Commissioning

The damper has no measurement function of its own. Turn the damper blade at the desired position and lock it.

## Maintenance

Clean the damper whenever needed by means of a vacuum-cleaner and brush nozzle or by wiping surfaces with a cloth.

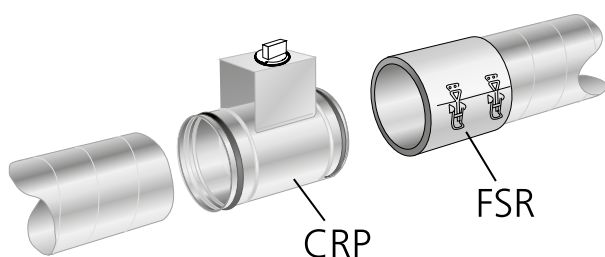


Figure 1. Installation.

## Installation of accessories

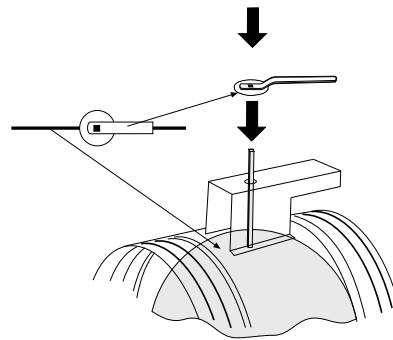


Figure 2. Installation, handle CRTT-1

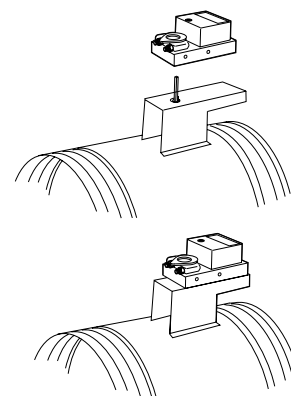


Figure 3. Installation, actuator size 100-400.

Wiring diagrams

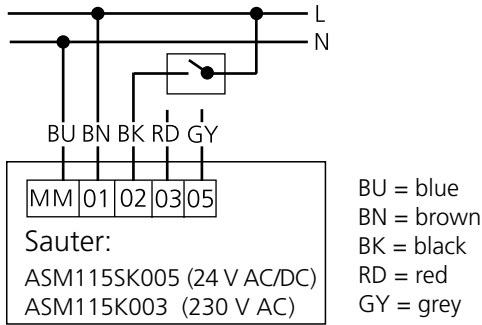


Figure 4. Wiring diagram for Sauter, 2 point regulation.

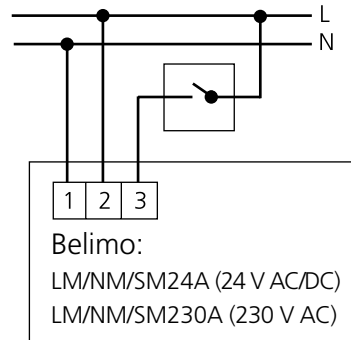


Figure 7. Wiring diagram for Belimo, 2 point regulation.

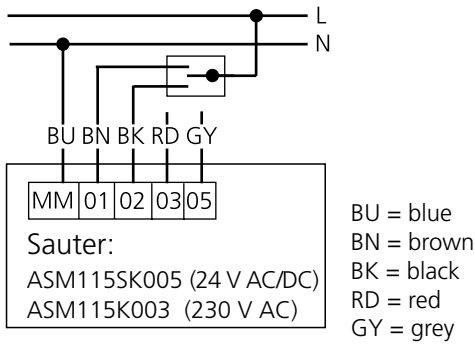


Figure 5. Wiring diagram for Sauter, 3 point regulation.

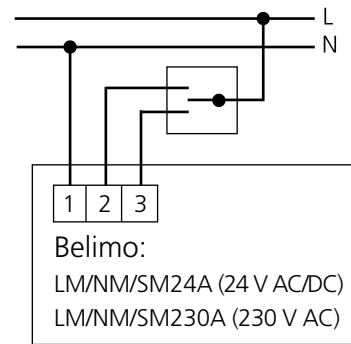


Figure 8. Wiring diagram for Belimo, 3 point regulation.

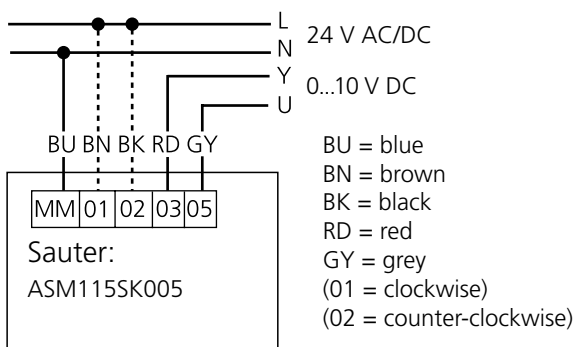


Figure 6. Wiring diagram for Sauter, 0-10 V stepless/modulating regulation.

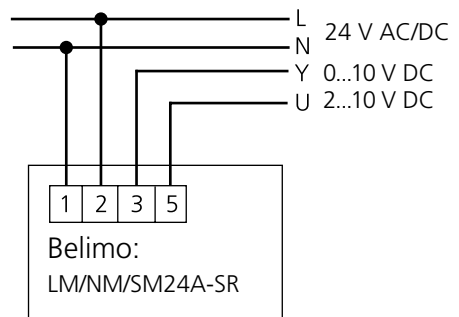


Figure 9. Wiring diagram for Belimo, 0-10 V stepless / modulating regulation.

### Actuator tables

- Actuator Sauter 24 V AC, ASM115SK005 / ASM124SK002 are standard and kept in stock.
- All other actuators are order items.

#### 2 or 3 point regulation – 24 V AC

Size	Torque	Designation	
		Sauter	Belimo
100-315	5 Nm	ASM115SK005	LM24A
400-630	10 Nm	ASM115SK005	NM24A

#### 2 or 3 point regulation – 230 V AC

Size	Torque	Designation	
		Sauter	Belimo
100-315	5 Nm	ASM115K003	LM230A
400-630	10 Nm	ASM115K003	NM230A

#### 0-10 V stepless/modulating regulation – 24 V AC

Size	Torque	Designation	
		Sauter	Belimo
100-315	5 Nm	ASM115SK005	LM24A-SR
400-630	10 Nm	ASM115SK005	NM24A-SR

### Electrical data

#### Actuators – Supply voltage 24 V AC

Make / Model	Ambient temp.	Power Consumption
Sauter ASM115SK005	-20...+55°C	8.7 VA
Belimo LM24A / -SR	-30...+55°C	2.0 VA
Belimo NM24A / -SR	-30...+55°C	3.5 VA

#### Actuators – Supply voltage 230 V AC

Make / Model	Ambient temp.	Power Consumption
Sauter ASM115K003	-20...+55°C	4.0 VA
Belimo LM230A	-30...+55°C	4.0 VA
Belimo NM230A	-30...+55°C	6.0 VA

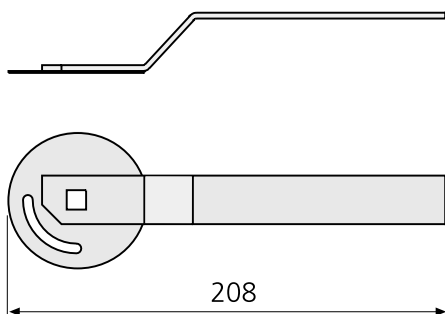


Figure 10. CRTT-1 knob, dimensions (mm).

## Dimensions and Weights

Size ØD (mm)	Dimensions (mm)		Weight (Kg)	Torque*) (Nm)
	A	H		
100	210	70	0.7	<3
125	210	70	0.8	<3
160	210	75	0.9	<3
200	210	75	1.0	<3
250	210	75	1.2	<4
315	210	75	1.5	<4
400	255	80	2.6	<4
500	255	80	4.2	<8
630	255	80	6.0	<8

\*) The torque refers to the recommended force necessary for secure control.

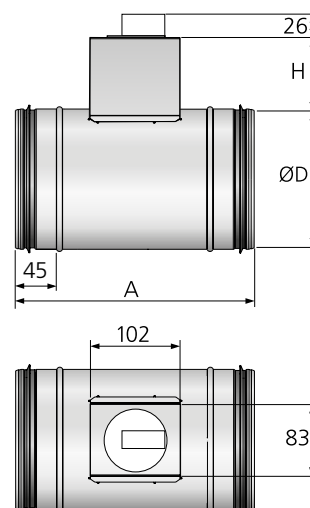


Figure 11. CRP-xxx-1, dimensions (mm).

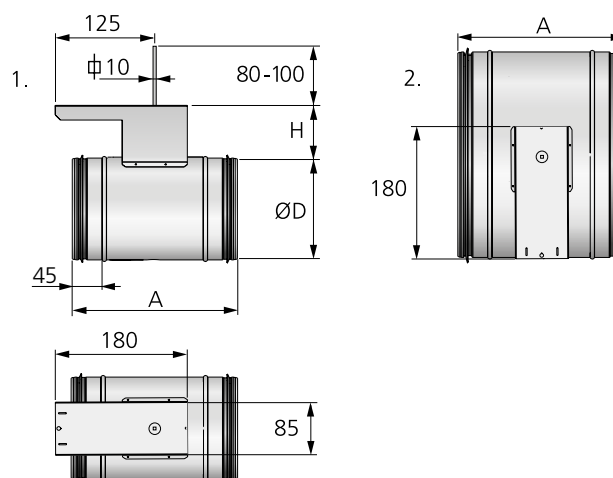


Figure 12. CRP, dimensions (mm).

1. CRP-(100-400)-4
2. CRP-(500-630)-4