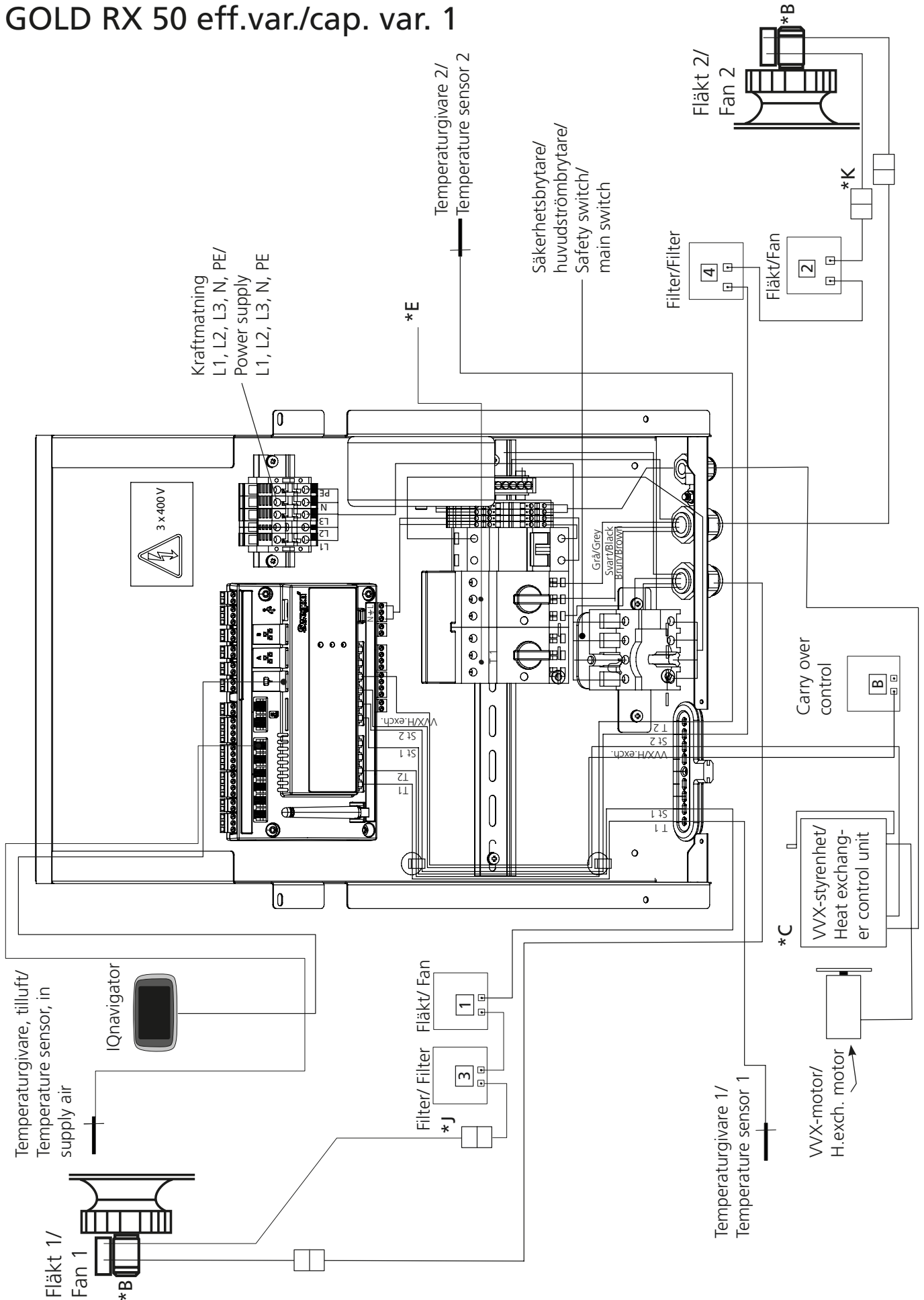
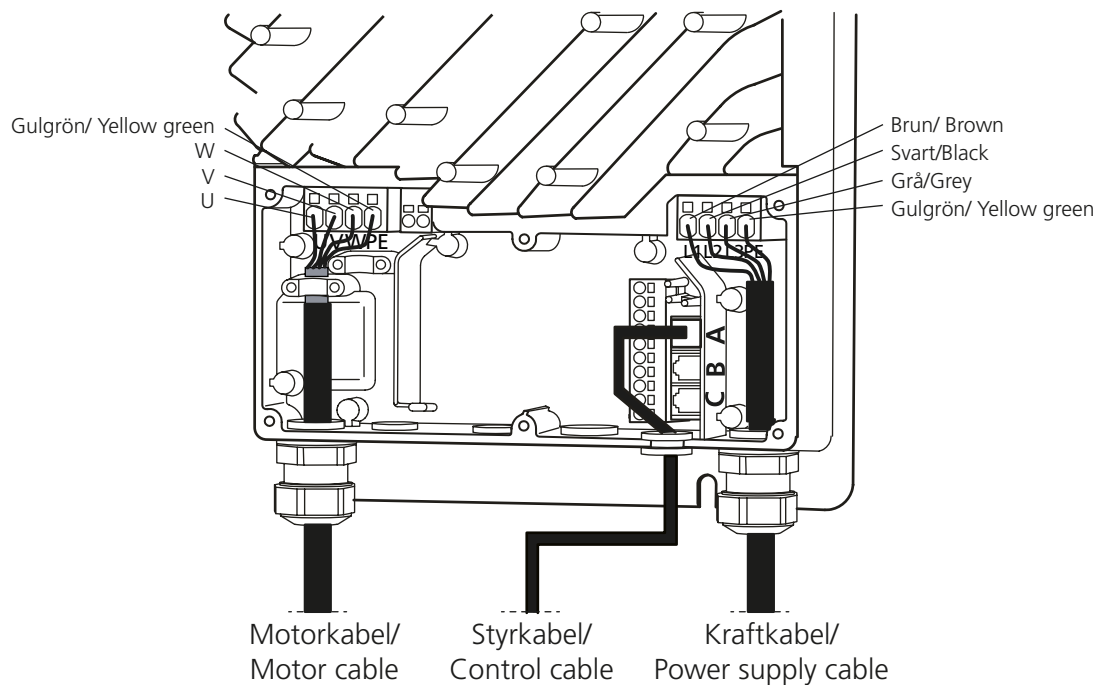


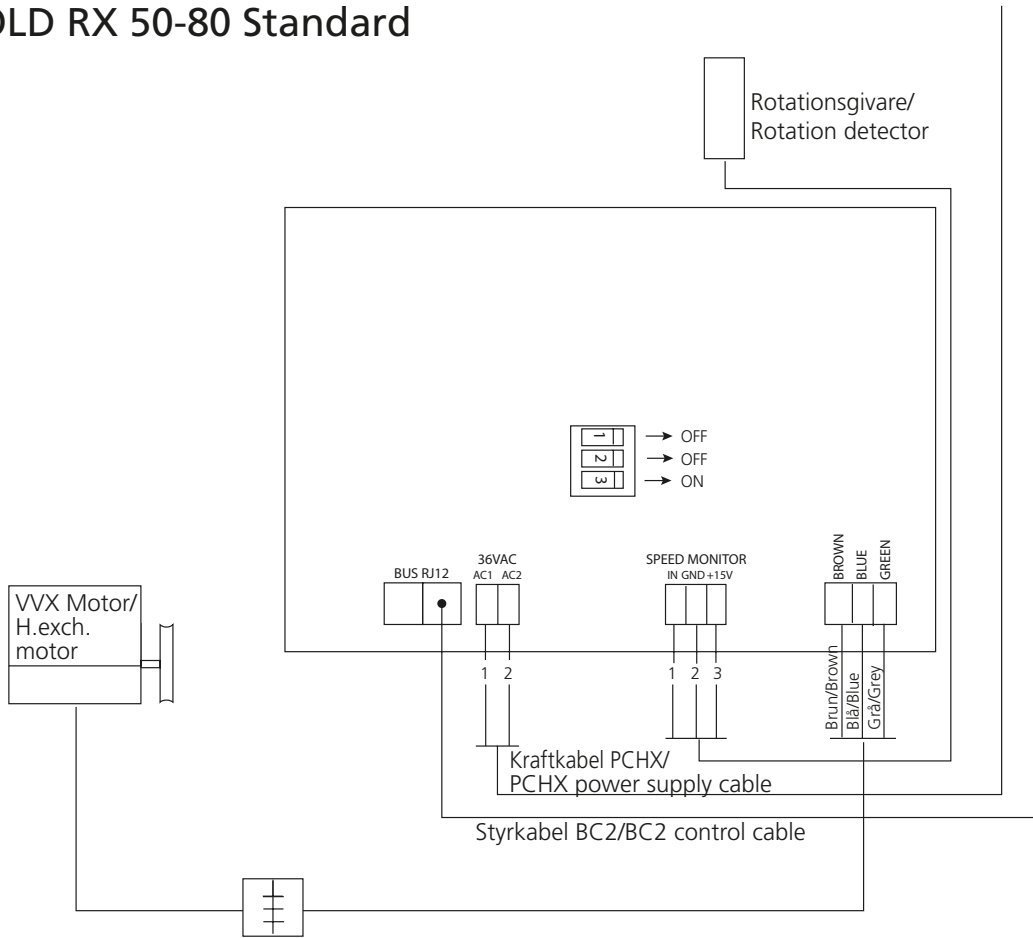
GOLD RX 50 eff.var./cap. var. 1



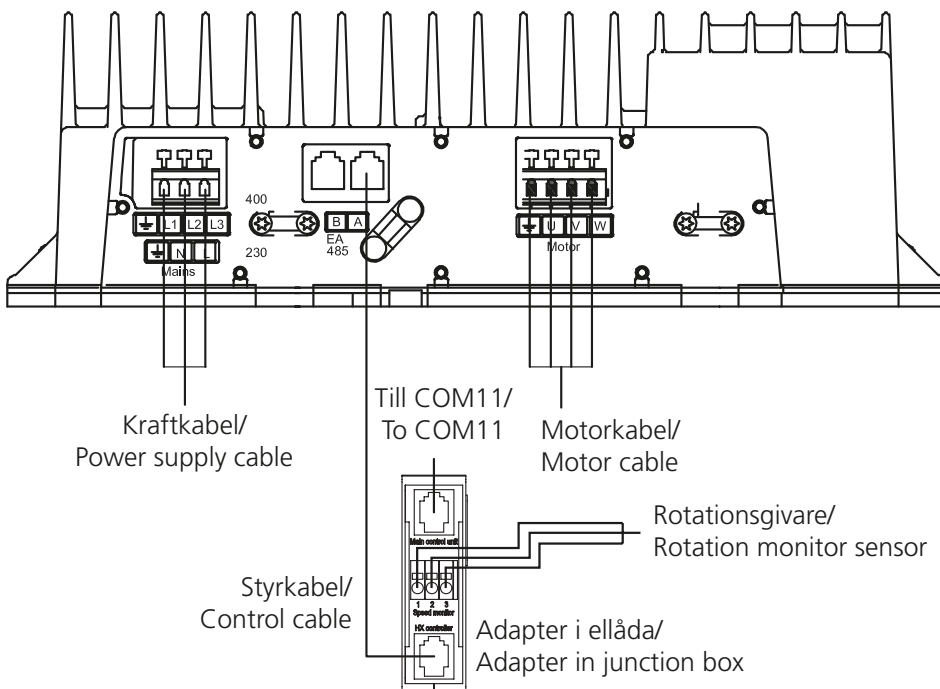
B: GOLD RX/PX/CX/SD 08/11 eff.var./cap.var. 2, 12-120



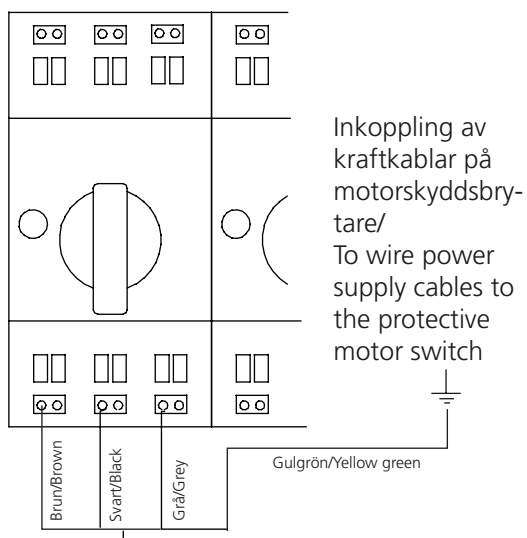
C: GOLD RX 50-80 Standard



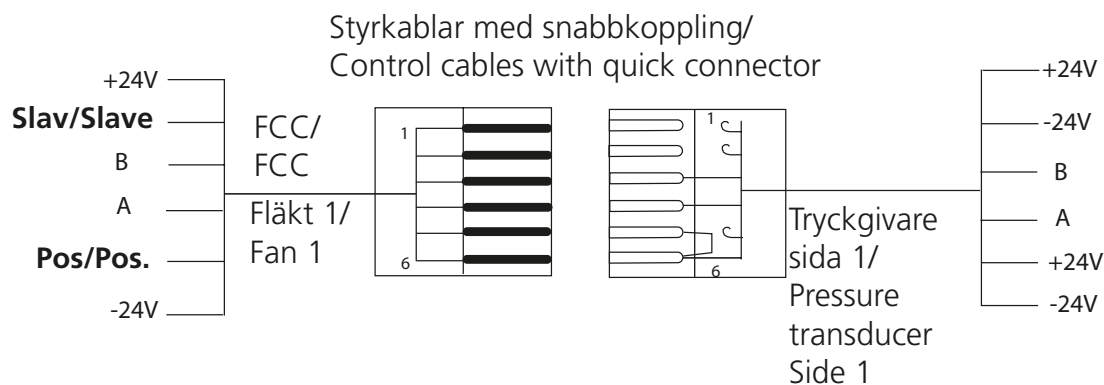
C: GOLD RX 50-120 RECOsorptic



E: GOLD RX/PX/CX 08/11 eff.var./cap.var.2, 12-120



J: GOLD RX/PX/CX/SD 04-40



K: GOLD RX/PX/CX/SD 04-40

