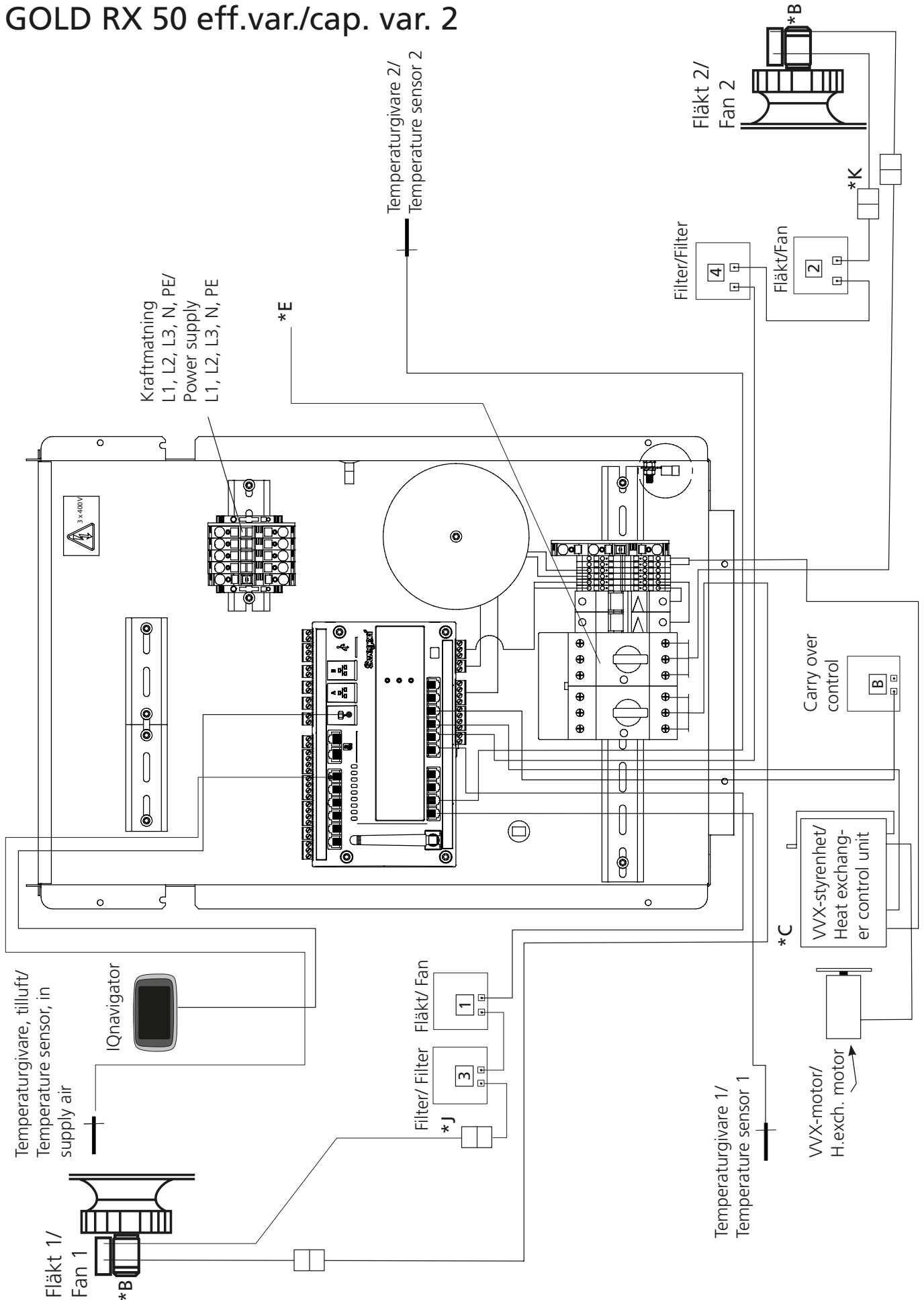
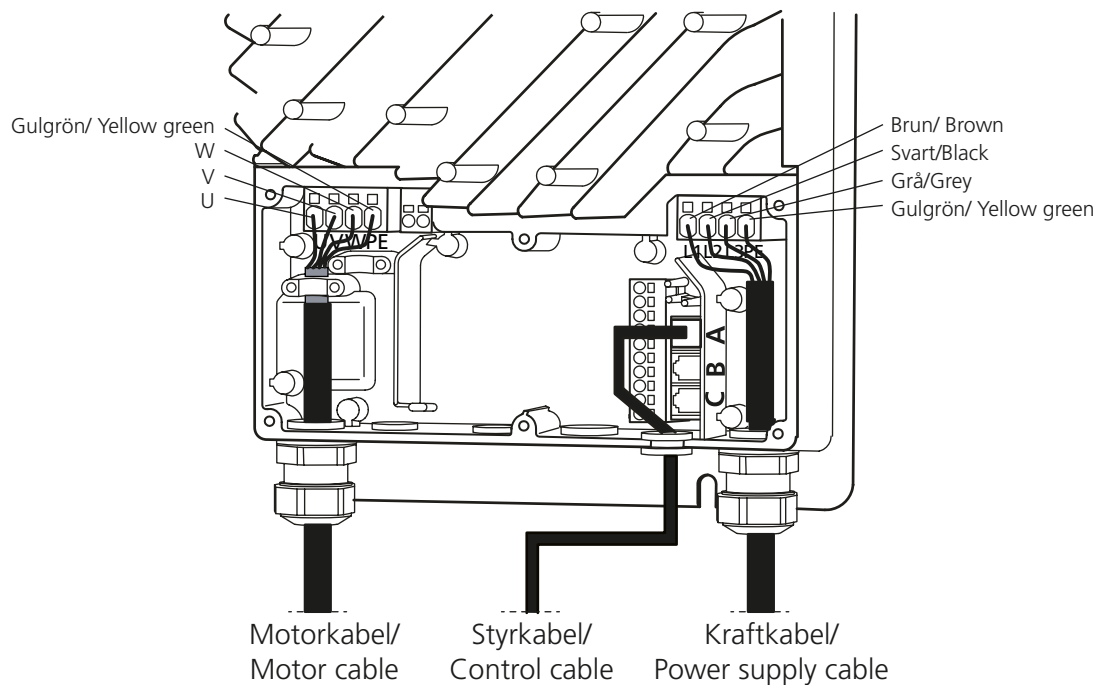


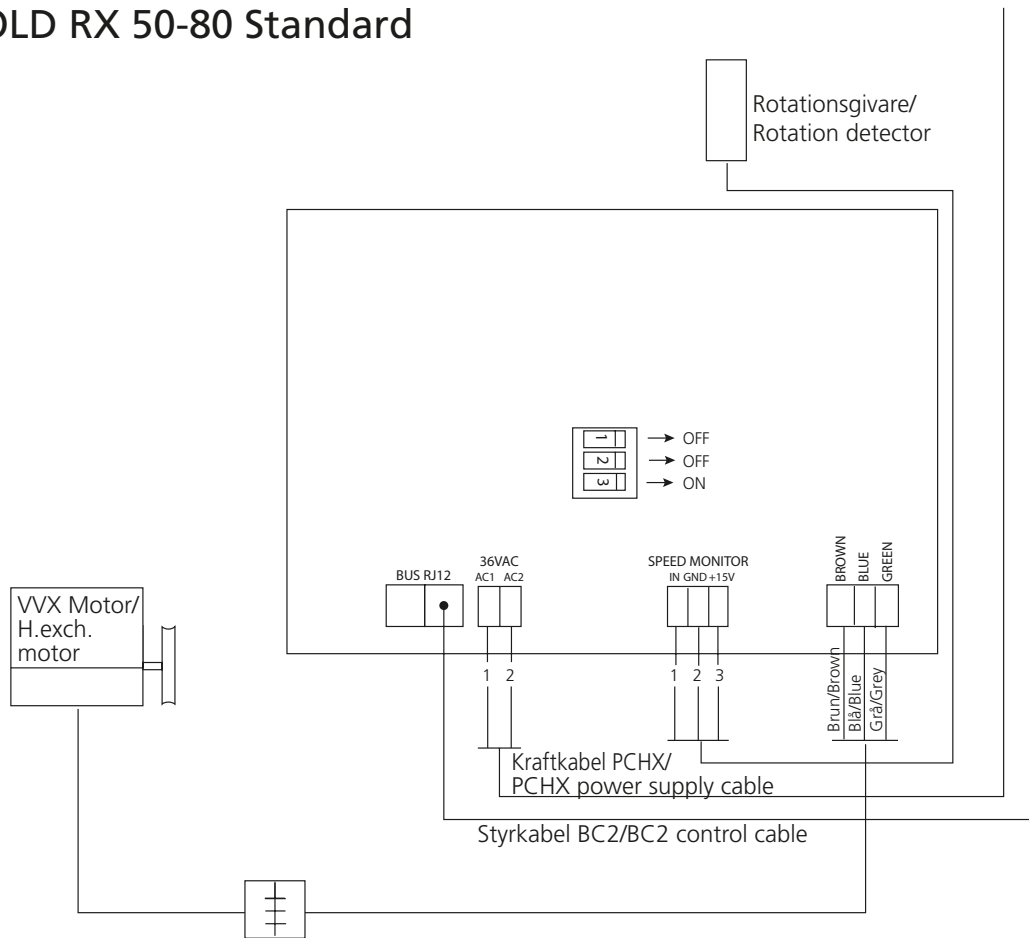
## GOLD RX 50 eff.var./cap. var. 2



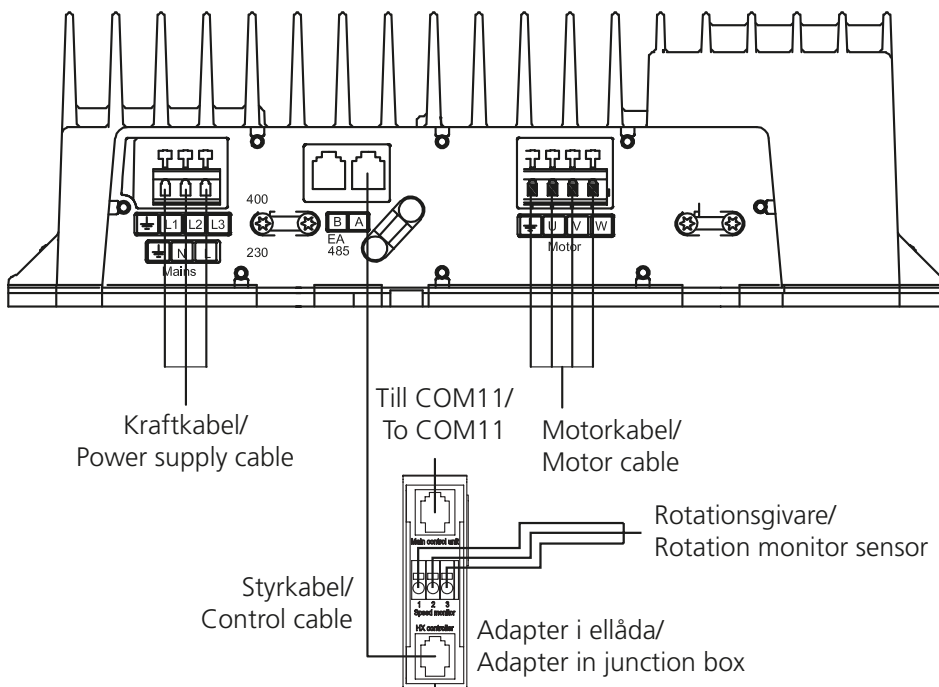
B: GOLD RX/PX/CX/SD 08/11 eff.var./cap.var. 2, 12-120



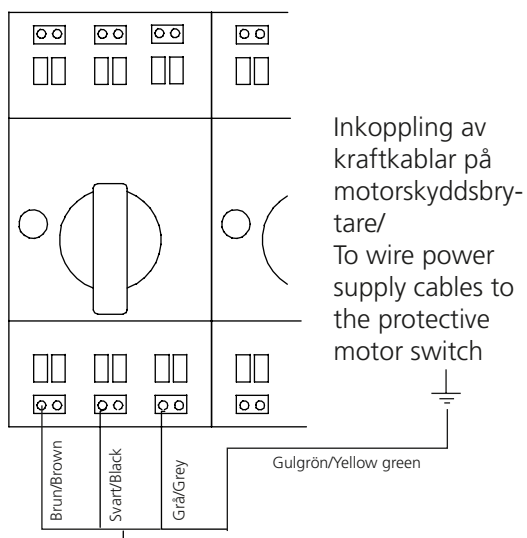
C: GOLD RX 50-80 Standard



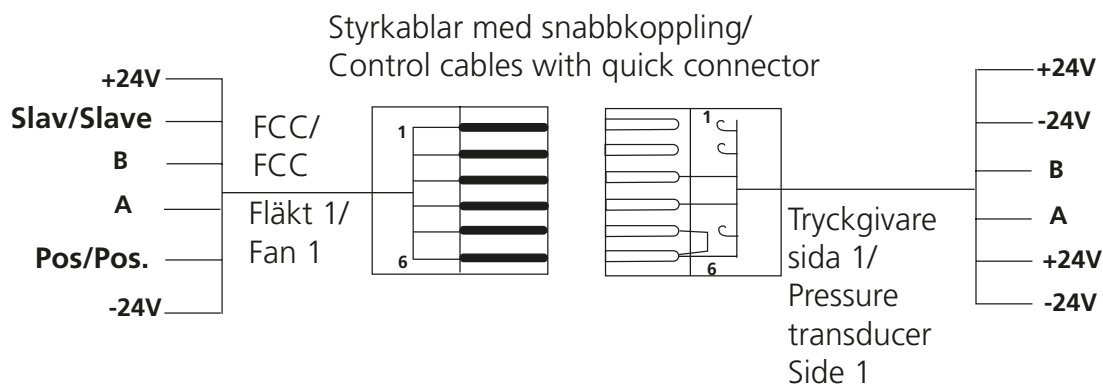
C: GOLD RX 50-120 RECOsorptic



## E: GOLD RX/PX/CX 08/11 eff.var./cap.var.2, 12-120



## J: GOLD RX/PX/CX/SD 04-50



## K: GOLD RX/PX/CX/SD 04-50

