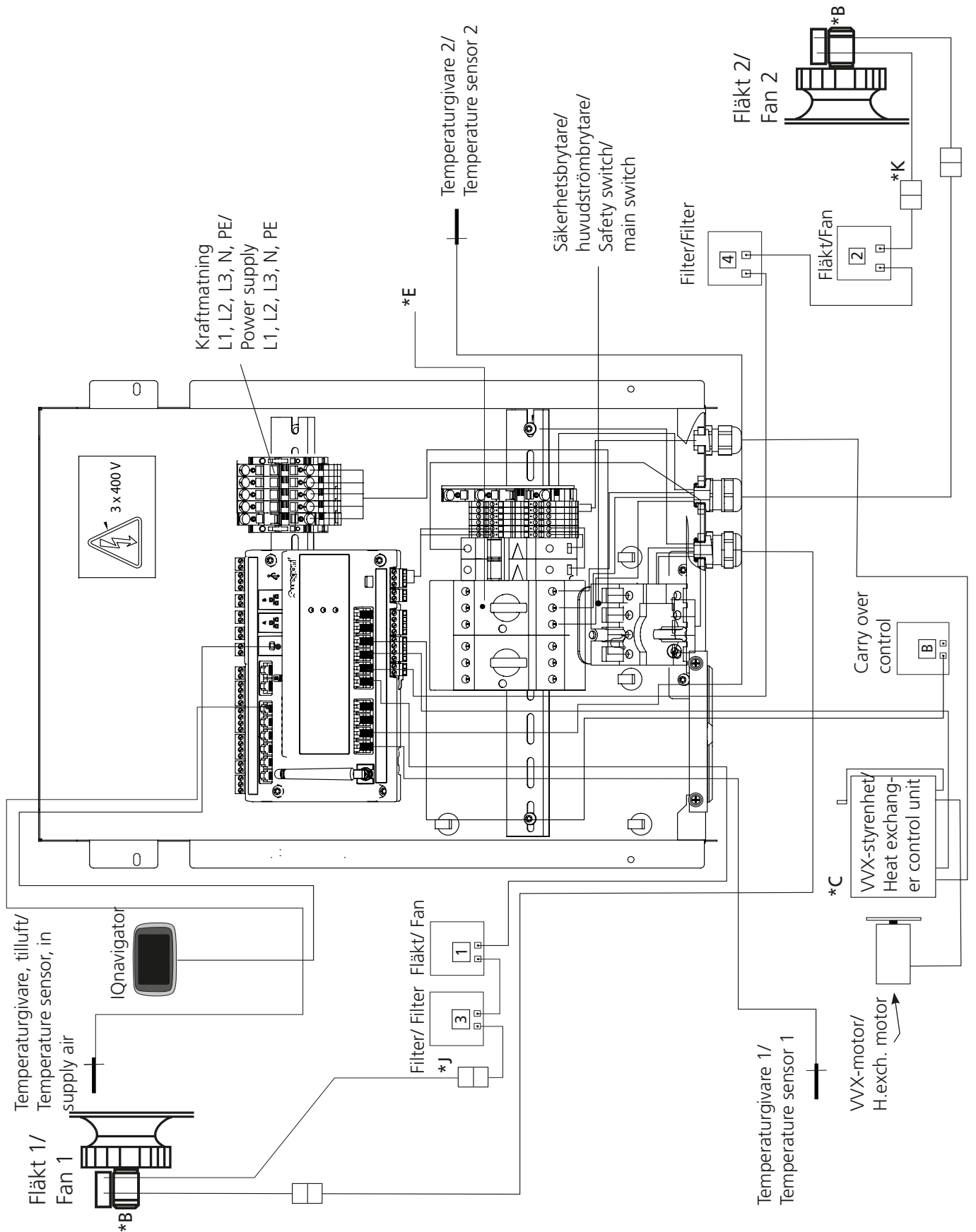
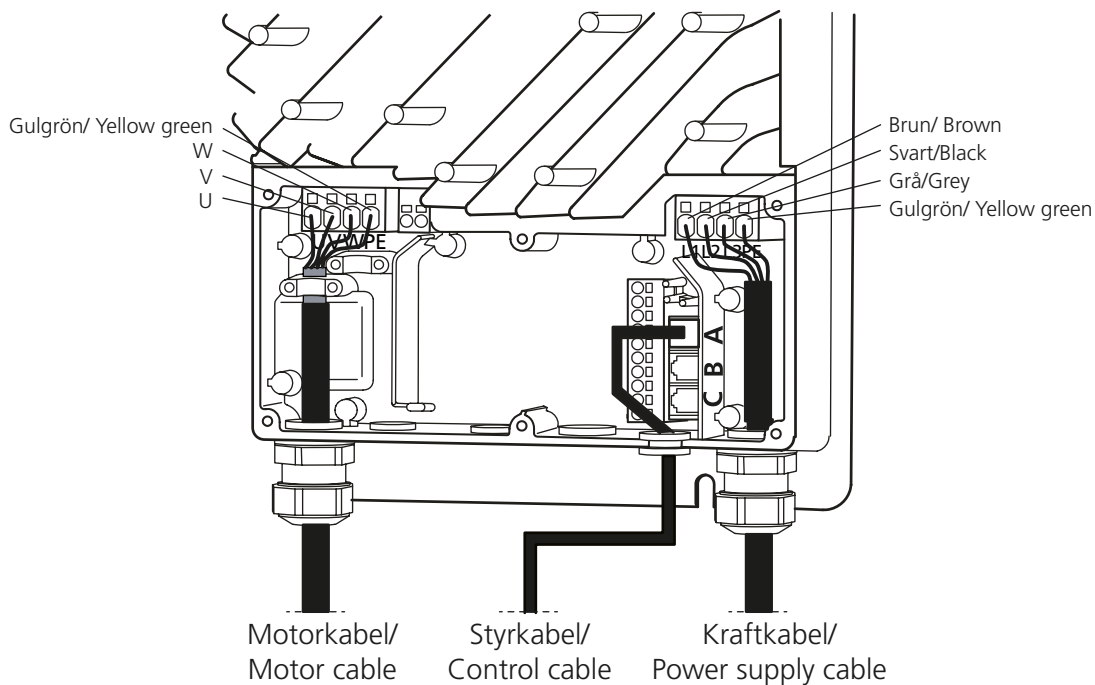


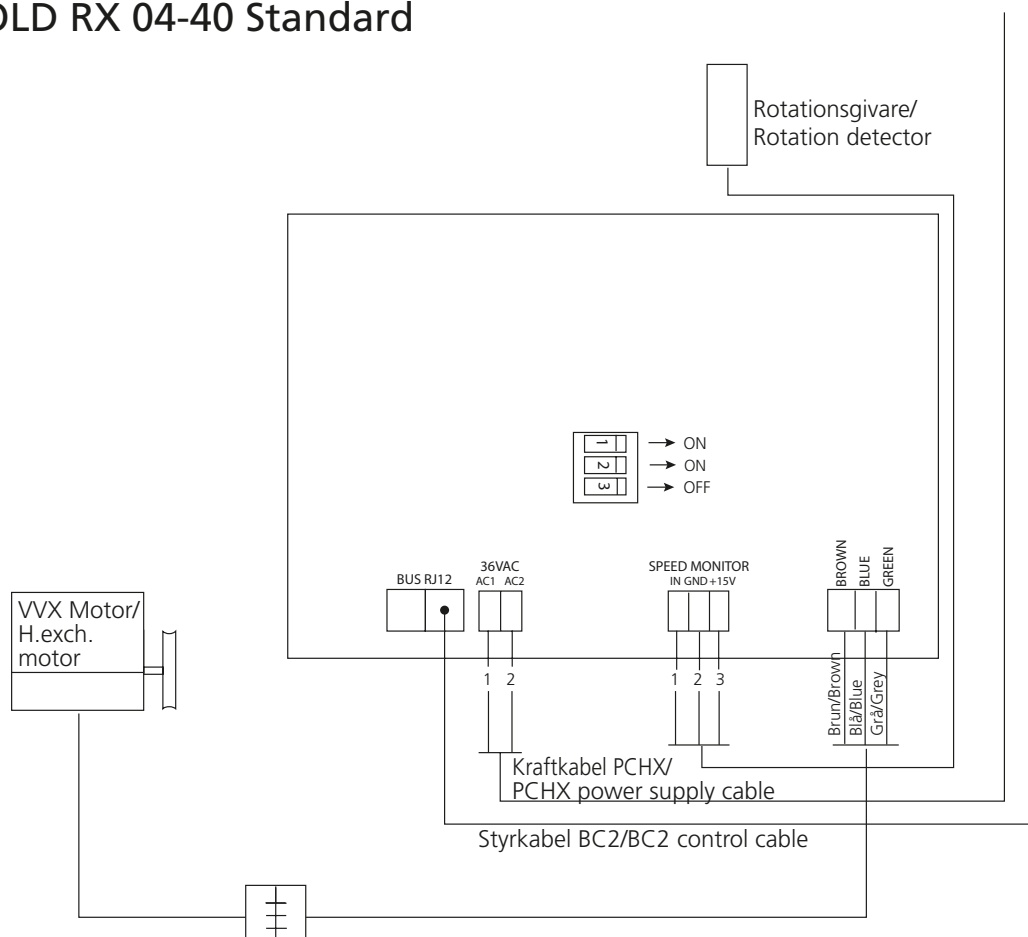
GOLD RX 40 eff.var./cap. var. 2



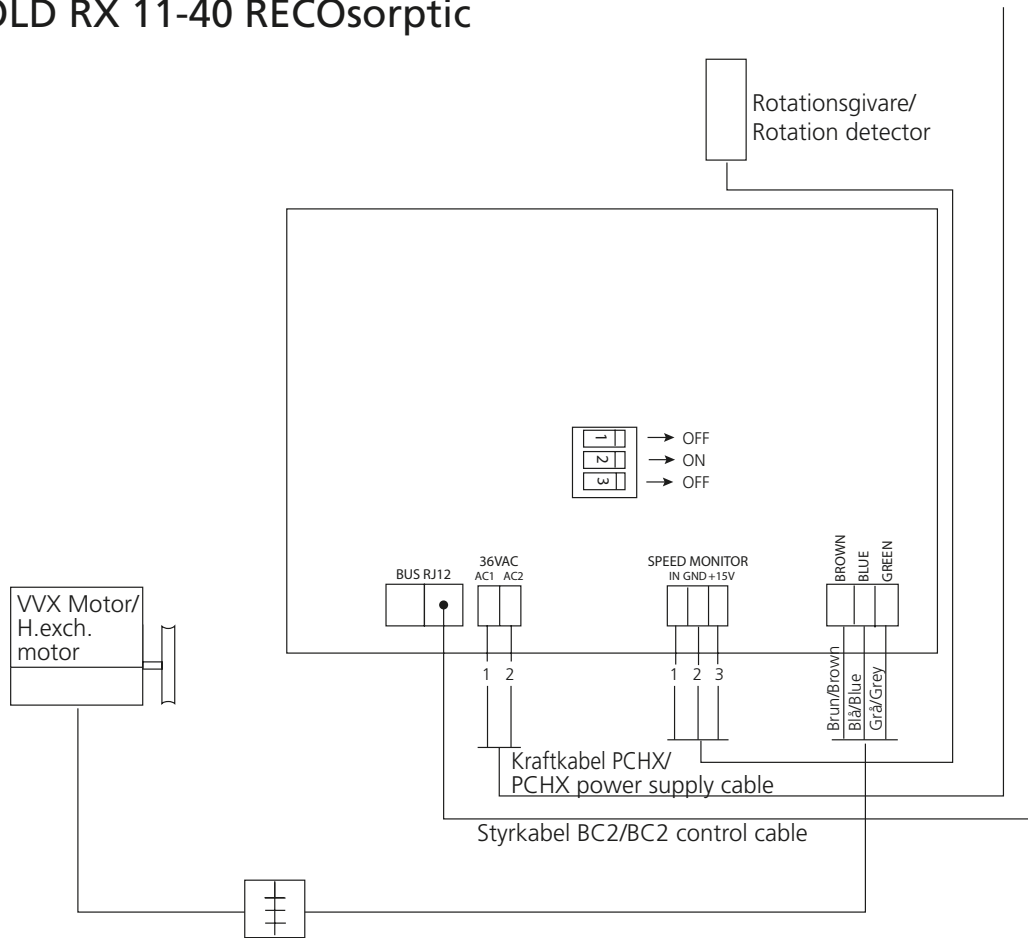
B: GOLD RX/PX/CX/SD 08/11 eff.var./cap.var. 2, 12-120



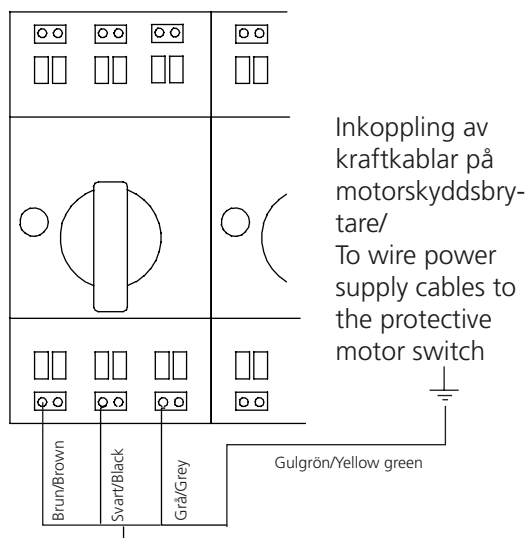
C: GOLD RX 04-40 Standard



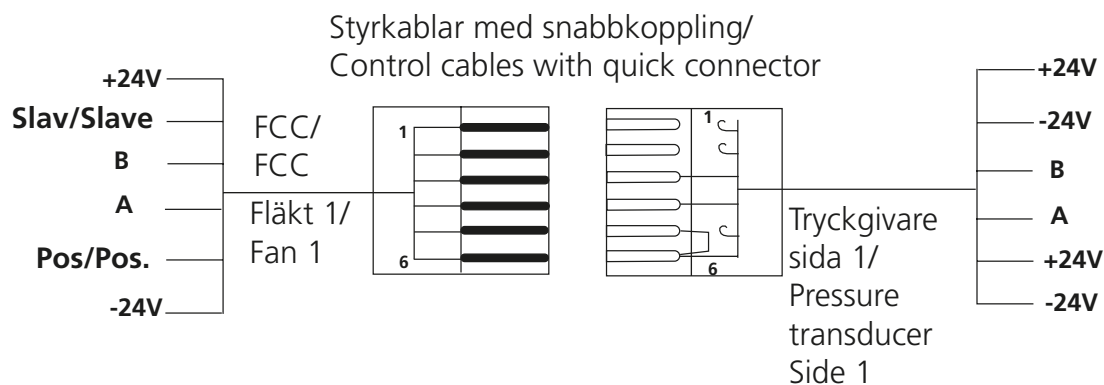
C: GOLD RX 11-40 RECOsorptic



E: GOLD RX/PX/CX/SD 08/11 eff.var./cap.var. 2, 12-120



J: GOLD RX/PX/CX/SD 04-50



K: GOLD RX/PX/CX/SD 04-50

