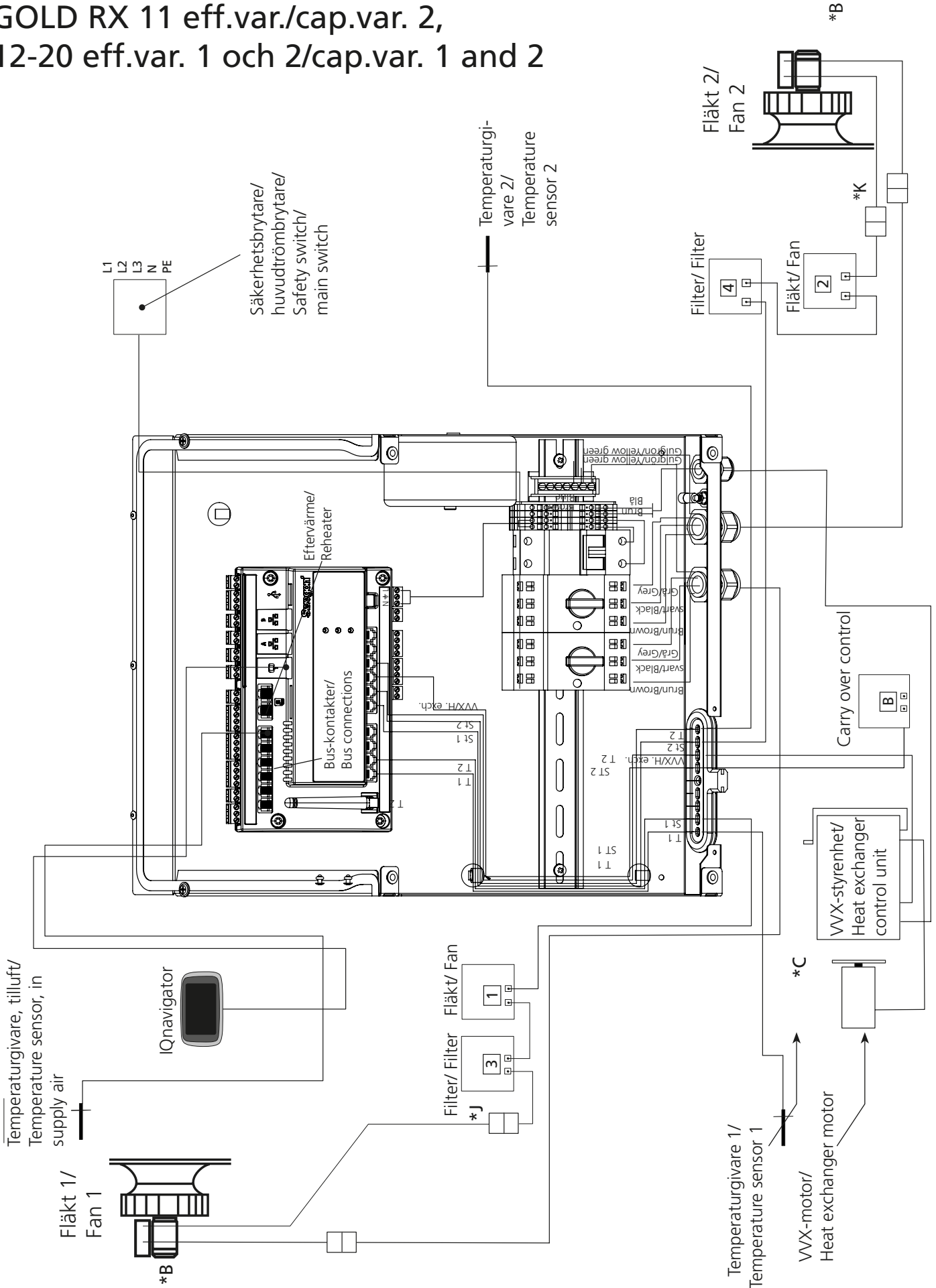
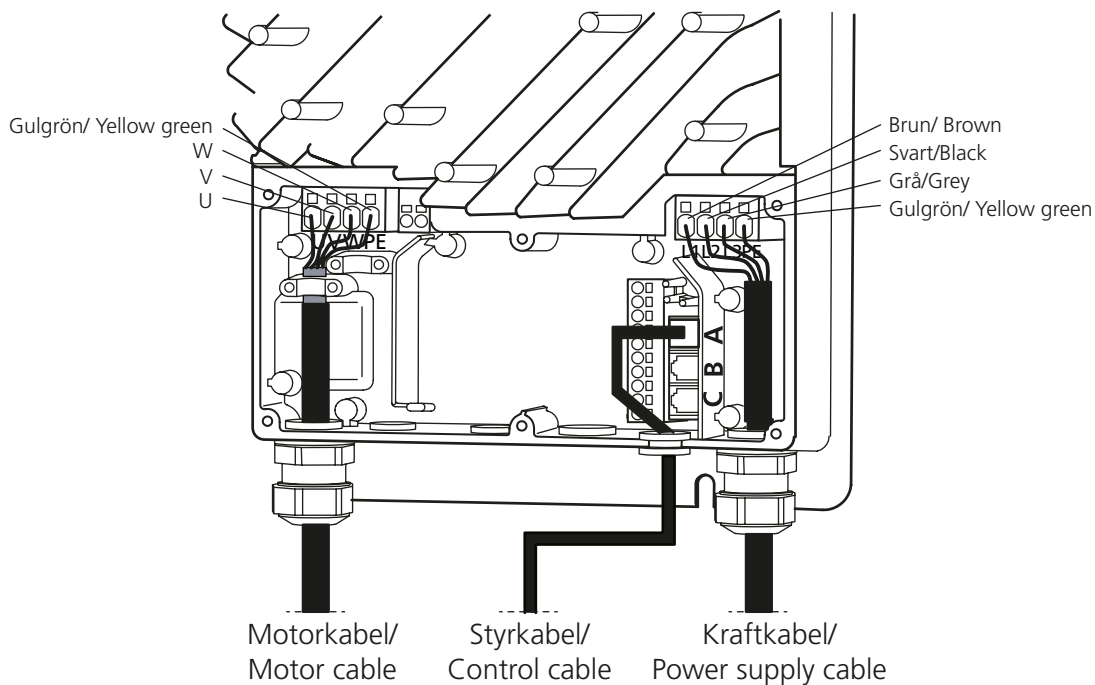


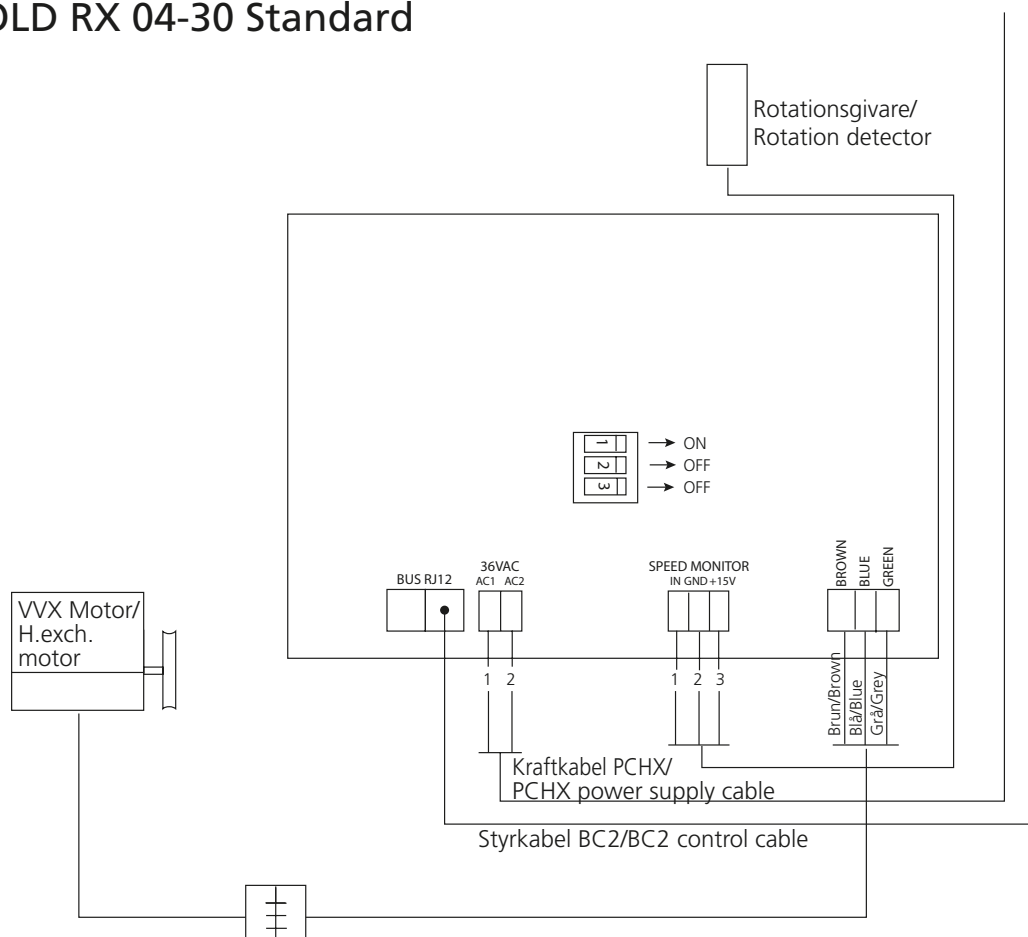
## GOLD RX 11 eff.var./cap.var. 2, 12-20 eff.var. 1 och 2/cap.var. 1 and 2



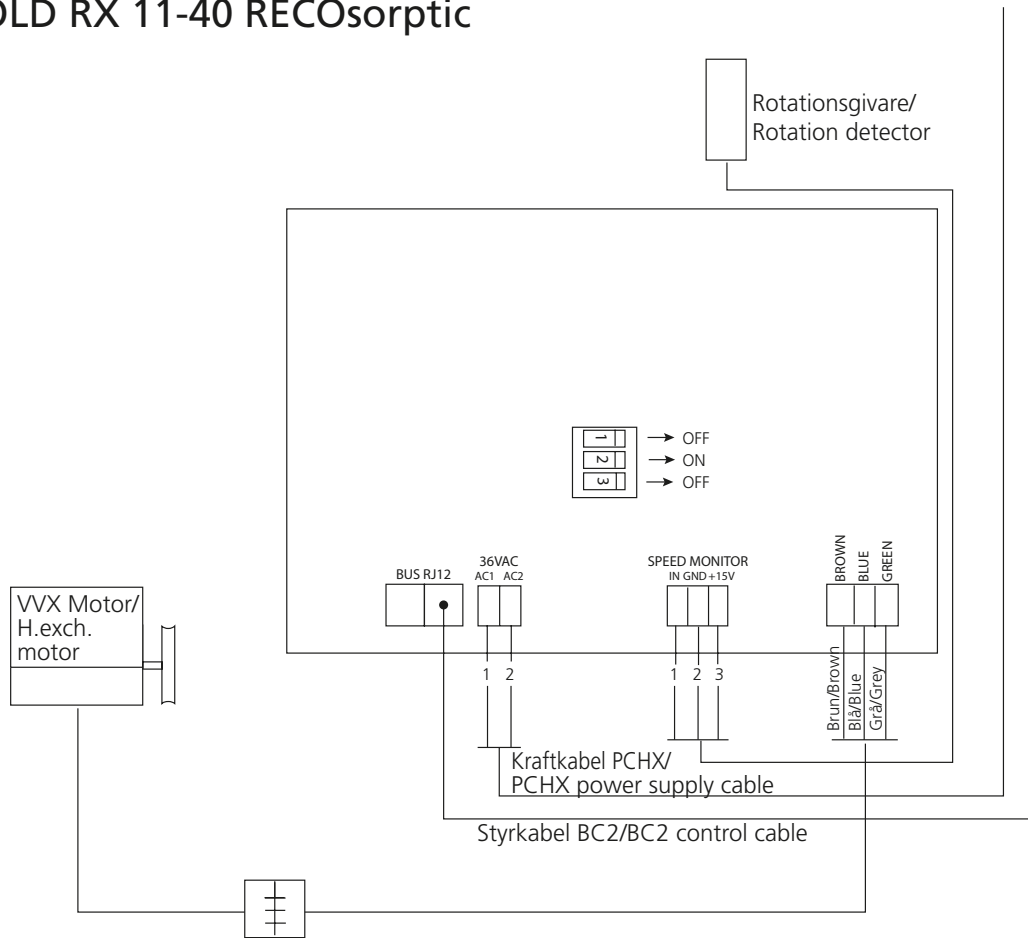
## B: GOLD RX/PX/CX/SD 08/11 eff.var./cap.var. 2, 12-120



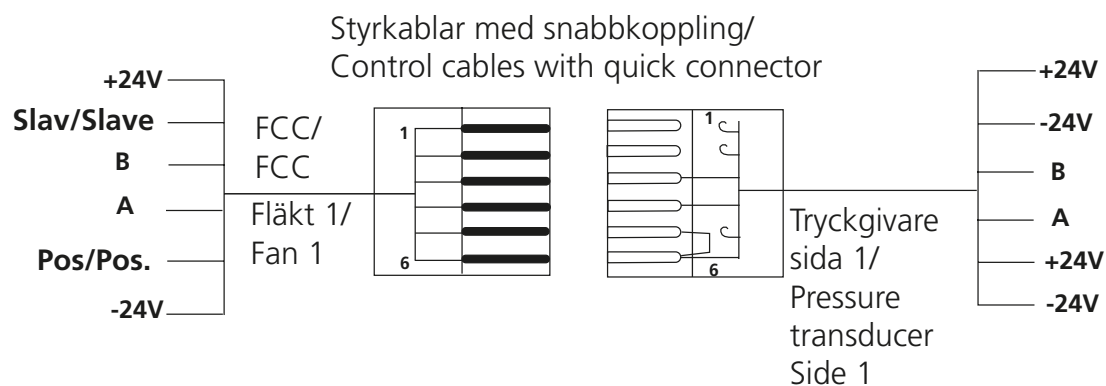
## C: GOLD RX 04-30 Standard



C: GOLD RX 11-40 RECOsorptic



## J: GOLD RX/PX/CX/SD 04-50



## K: GOLD RX/PX/CX/SD 04-50

