

DCP_e

Installation – Commissioning – Maintenance

20180525

Accessories

Regulator unit:

REG. Combination unit with damper and sound attenuator.

Duct cover:

DCPT 1. For incorporation of the regulator unit and the connected spiral duct.

Base:

DBCT 2. For installation on the floor.

Decorative top:

DCPT 3. Removable top board in different materials and dimensions. Used as the termination on the top of the diffuser when the air diffuser is connected to the duct system via the floor. Please contact your nearest sales representative for further information.

Installation

Secure the air diffuser with screws to the floor from the inside of the diffuser. If a base is used, secure it with screws to the floor and then secure it to the bottom of the air diffuser with blind rivets. Press the regulator unit, which has a circular connection spigot with a rubber seal, into the inlet socket of the air diffuser. Secure the telescopic duct cover to the aluminium profiled section. Attach this section to the connected duct. See Figure 1.

If the duct casing is used for the duct connection from below, an assembly fixture is required between the air diffuser and ceiling. As a suggestion, spiral duct of the same dimension as the diffuser connection can be used as the assembly fixture between the air diffuser and ceiling.

Commissioning

The measurement tapping is positioned on the one side of the air diffuser behind the aluminium strip. The K-factor (COP) is given on the product identification label on the diffuser to the side of the measurement tapping. K-factors can also be found in the relevant commissioning instructions available at www.swegon.com and in this product datasheet. We recommend that you use the REG regulator unit for adjusting the airflow. See Figure 2.

To regulate how the air is supplied to the room, turn the air diffuser's Varizon® discs to make the air to flow in the desired direction. A straight air discharge can be achieved by taking the disc out of the diffuser, turning it 180° and reinserting it back into place. See Figure 3.

Maintenance

The air diffuser can be cleaned, if necessary, using luke-warm water with dishwashing detergent added or by vacuum cleaning using a brush nozzle. The duct system is accessed by removing the front panel and the inspection cover of the air distribution panel. See Figure 2.

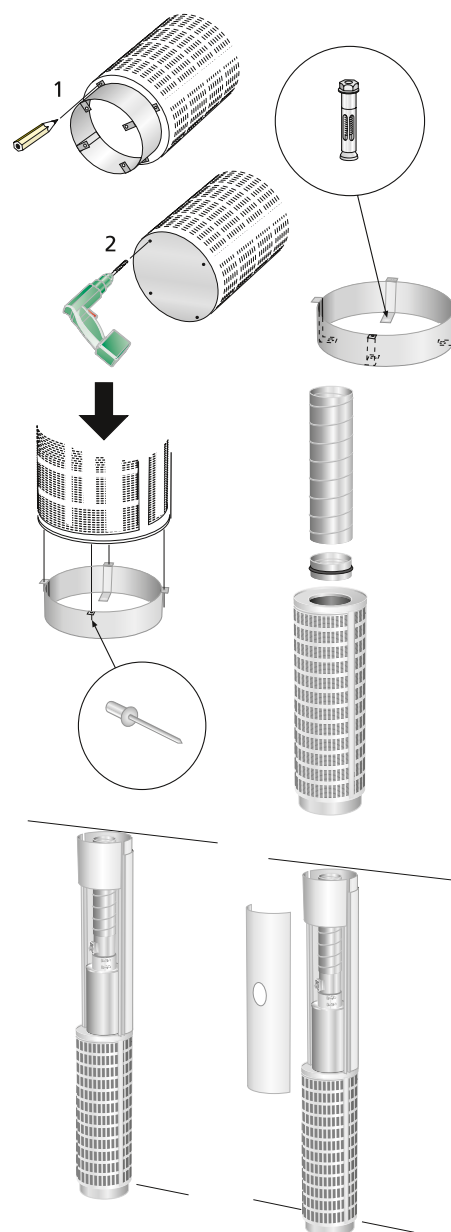
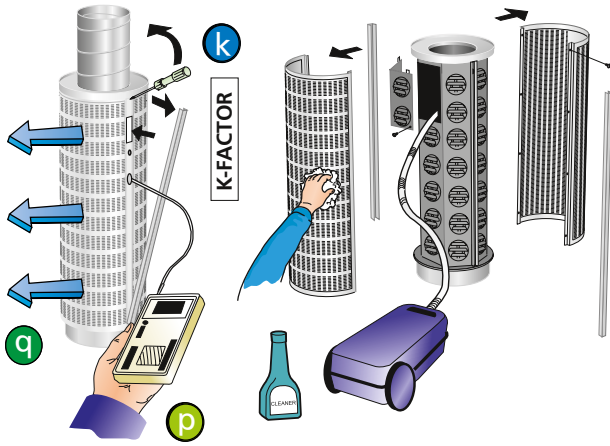


Figure 1. Installation.

Disc adjustment – Varizon®



$$q = k \cdot \sqrt{p}$$

$$p = \left(\frac{q}{k}\right)^2$$

q = flow reading l/s
 p = current pressure reading (Pa)
 k = commissioning factor

Figure 2. Commissioning, Maintenance.

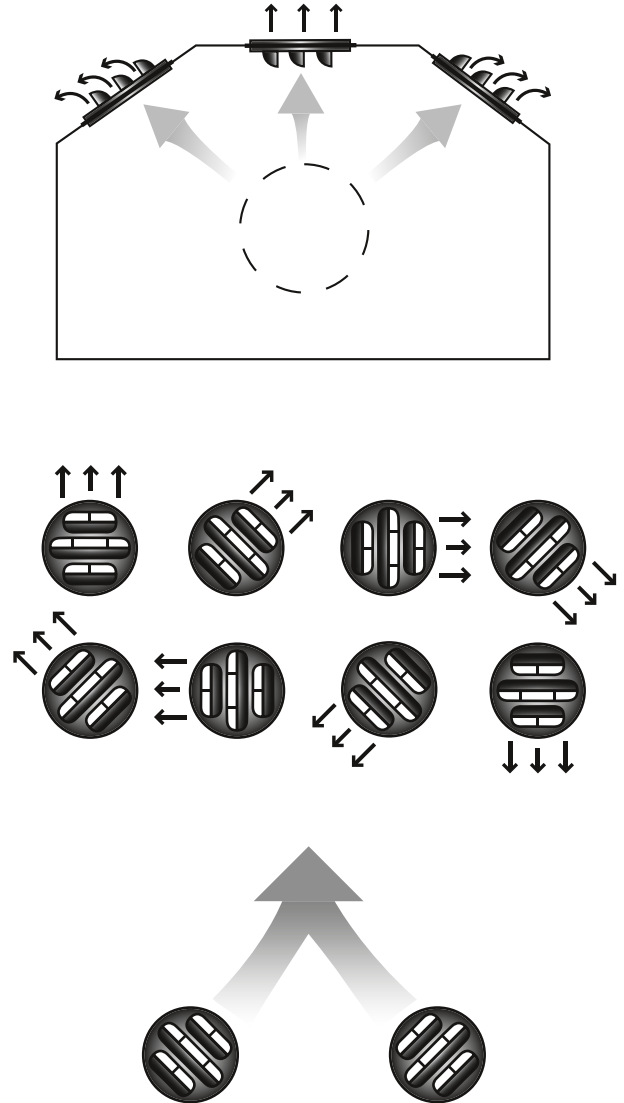


Figure 3. Disc adjustment, schematic presentation

Dimensions and weights

DCP

Size	Dimensions (mm)			Weight (kg)
	ØA	B	Ød	
125	270	608	125	7
160	305	608	160	10
200	345	908	200	15
250	395	908	250	18
315	460	1488	315	23
400	545	1988	400	29
500	645	1988	500	36
630	775	1988	630	45

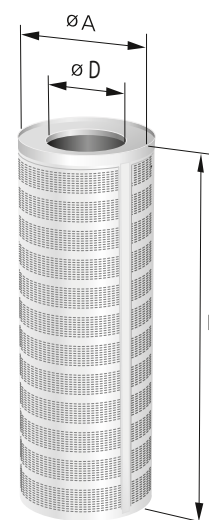


Figure 4. DCP.

REG

Size	Dimensions (mm)			
	ØC	Ød	G	H
125	225	124	230	500
160	260	159	230	500
200	300	199	230	500
250	350	249	250	500
315	415	314	260	800
400	500	399	300	800
500	600	499	300	900
630	730	629	300	900

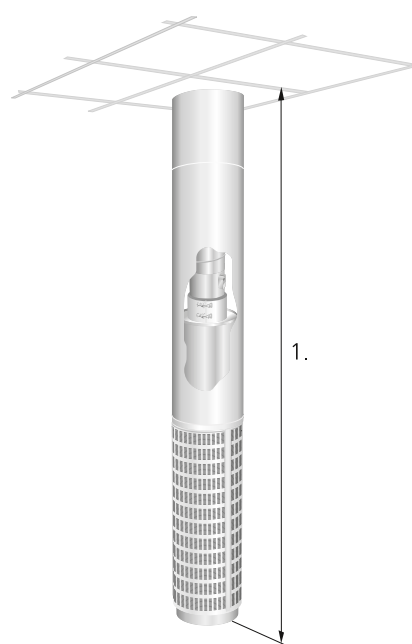


Figure 5. DCP with duct cover and base.

1. Sizes 125-315: 2400-2750.

Sizes 400, 500, 630: 2850-3200.

If other lengths are required always state the total room height.

K-factor (COP)

Size	Supply air
125	12.2
160	22.8
200	37.0
250	58.0
315	88.0
400	141.0
500	210.0
630	295.0
800	-

Number of measuring tubes: 1

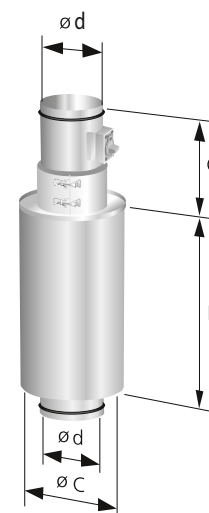


Figure 6. REG Regulator unit.