

# CLA-A, CLA-B, SORDO-A, -B, -C, -P

*Installation – Maintenance*

12/02/2018

## Installation

### General

Check the product before and after installation. A damaged or faulty product should not be installed. Report faults immediately to your nearest Swegon office.

### Checks

The product rating plate is located on the sound attenuator.

### Dimensions and weights

The dimensions can be read on the product rating plate and are specified as connection dimensions and length. Other measurements and weights are set out on the sound attenuator's product data sheet, which is available at [www.swegon.com](http://www.swegon.com).

### Suspension

The product's connection spigots are designed for connection to ducts only.

It is important to drive screws or pop rivets into the 25-mm sheet-metal edge which is fastened and located inside the connection spigot. See Figure 1.

The product can be mounted by means of approved hangers that satisfy the provisions to load bearing capacity rating R corresponding to the fire resistance the structural element of the building, for example load bearing capacity rating R 60 for elements of structure to fire-resistance class EI60.

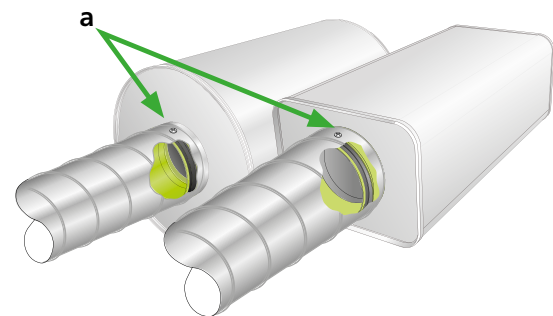
### Fire rated products

Carefully read the product data sheets of each product prior to installing fire rated products and products with safety distances. Product sheets are available from [www.swegon.com](http://www.swegon.com).

### Commissioning

The sound attenuator does not need to be commissioned.

For details of how to check the pressure drop across the sound attenuator, refer to the product data sheet or the ProSilencer software on [www.swegon.com](http://www.swegon.com).



*Figure 1. For reasons of safety, connect the connection duct to the raised sheet-metal edge that is fastened inside the connection spigot using screws or pop rivets (a).*

## Maintenance

The product is maintenance-free under normal operating conditions.

In line with its type approval rating, the sound attenuator can be cleaned using a rotating plastic brush.

The normal temperature for (continuous) use is between -30° and +50°C.

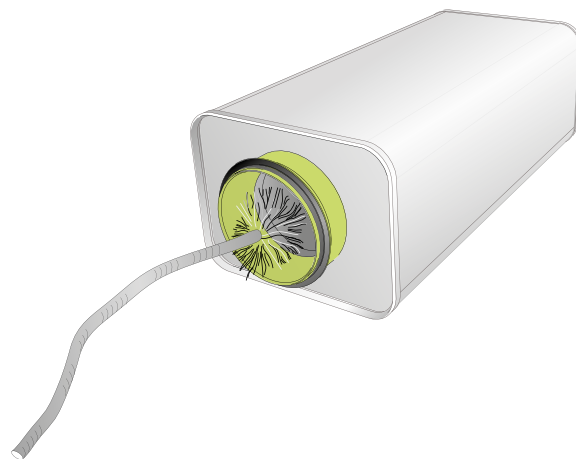


Figure 2. Cleaning with plastic brush