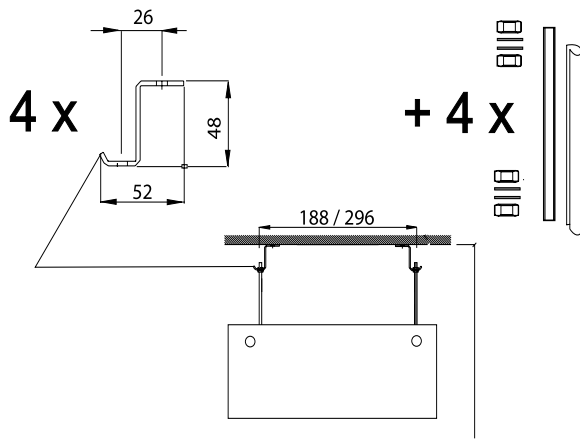


**(A)**

KGDa 290 / 430



**(B)**

KGDa 290 / 430

