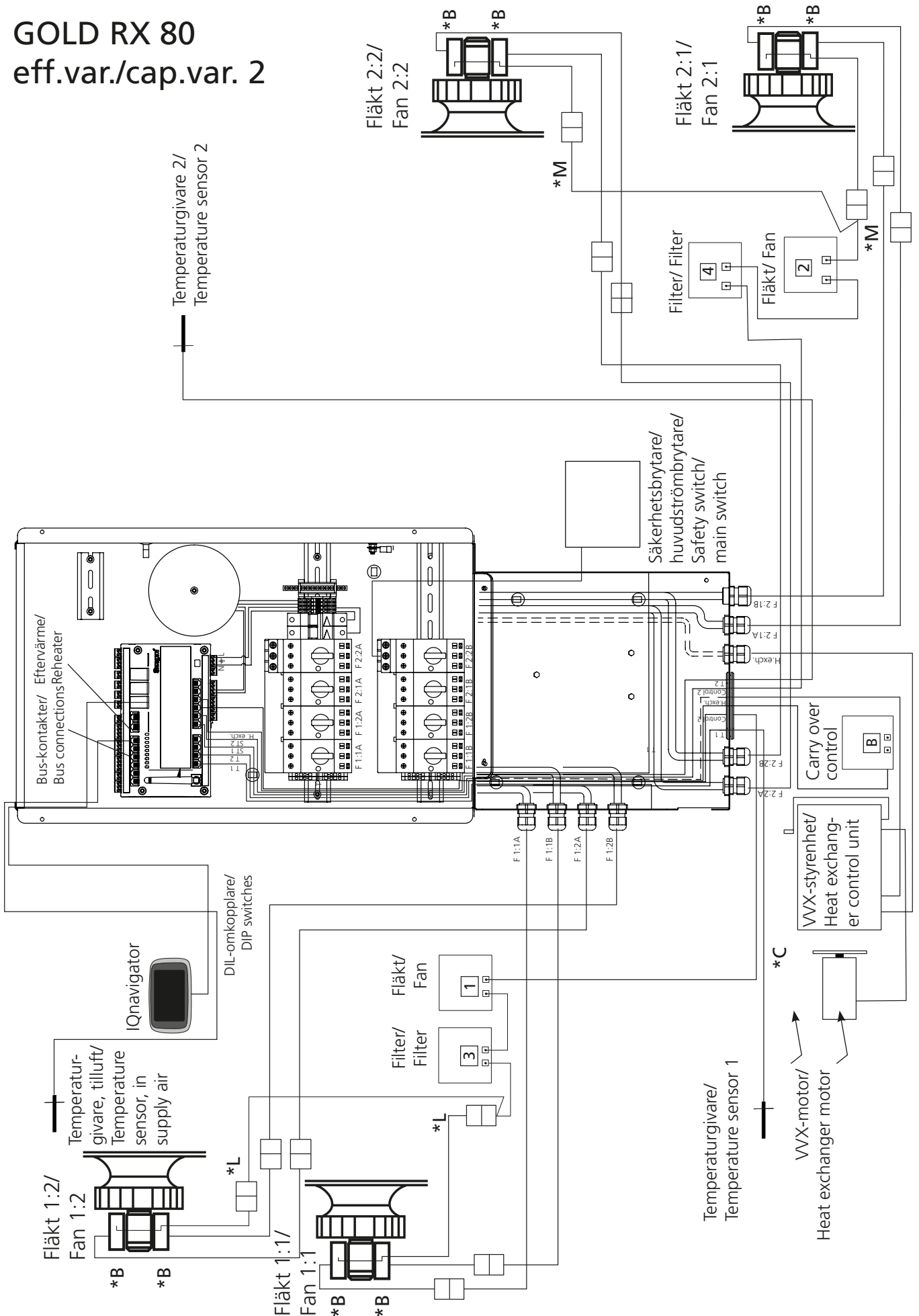
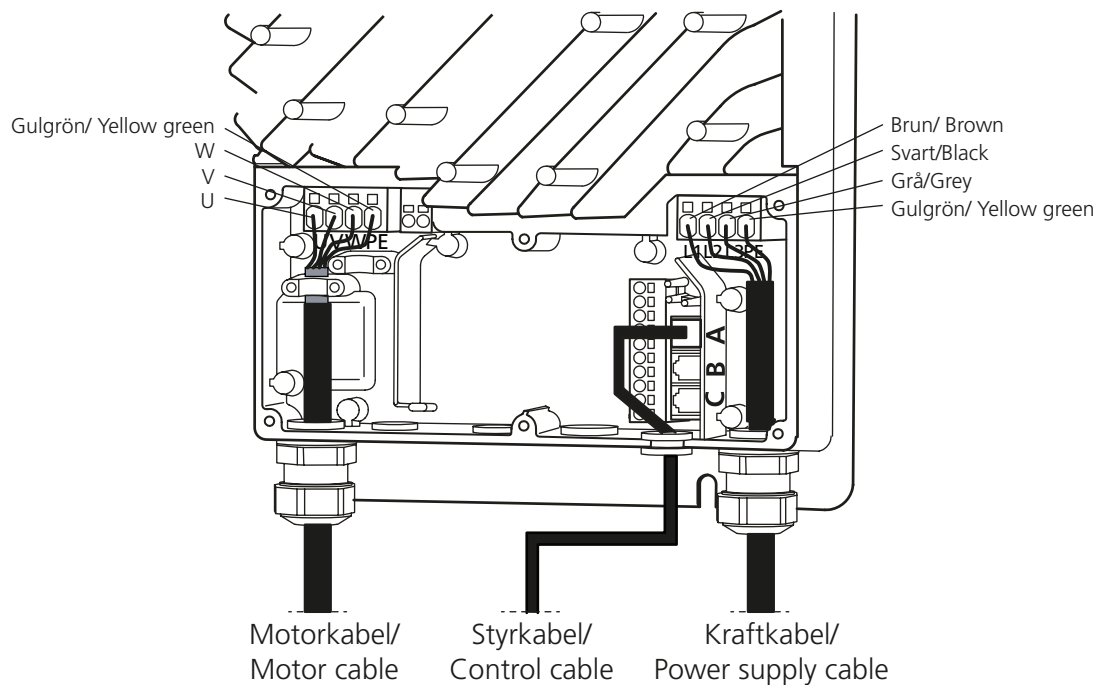


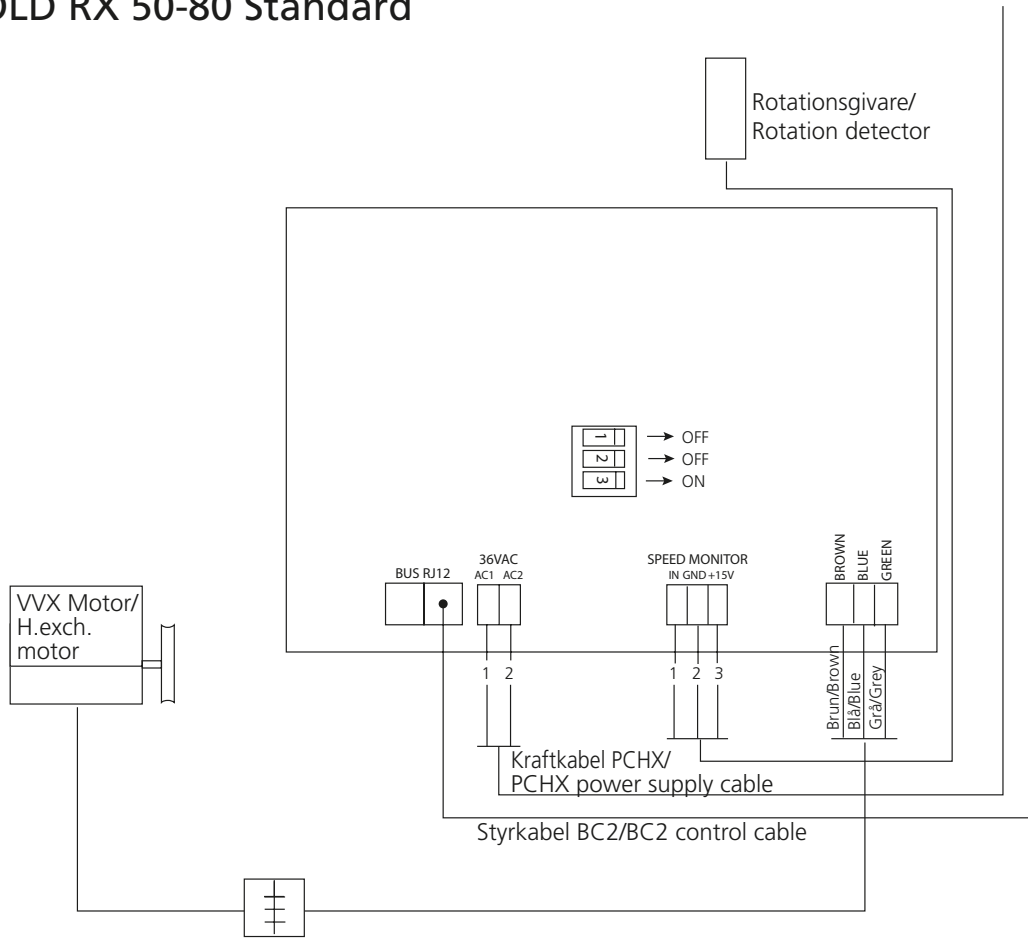
## GOLD RX 80 eff.var./cap.var. 2



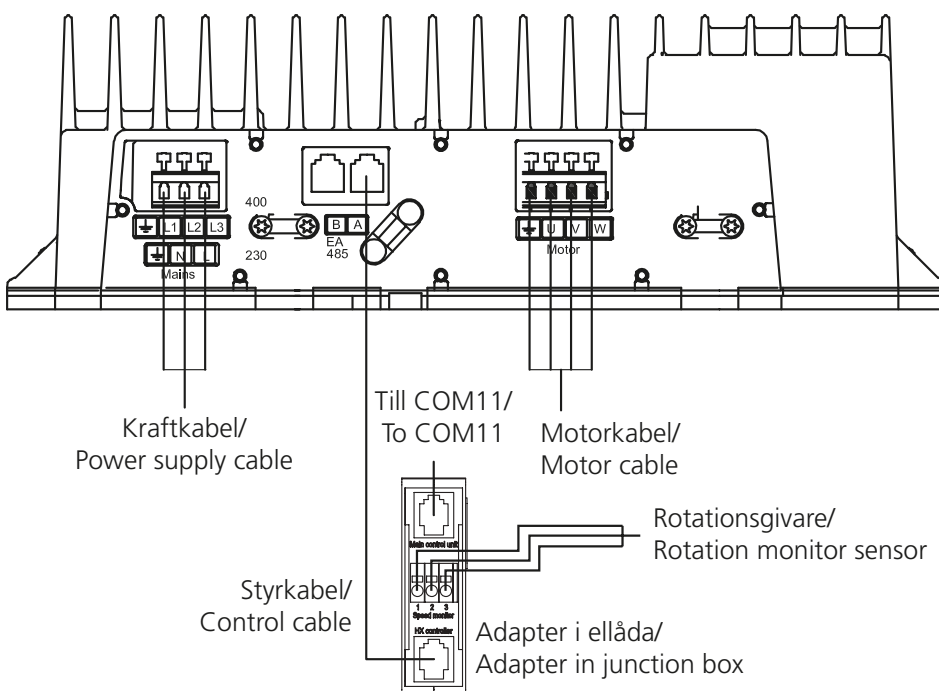
B: GOLD RX/PX/CX/SD 08/11 eff.var./cap.var. 2, 12-120



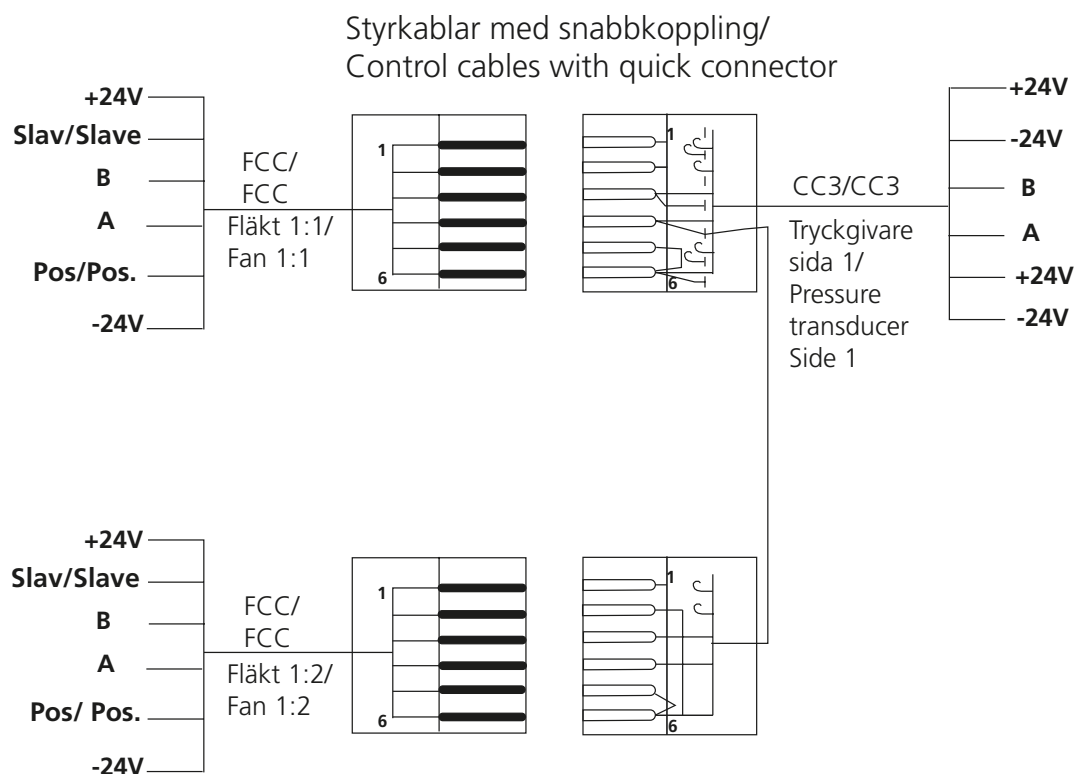
C: GOLD RX 50-80 Standard



C: GOLD RX 50-120 RECOsorptic



## L: GOLD RX/PX/CX/SD 50-100



## M: GOLD RX/PX/CX/SD 50-100

