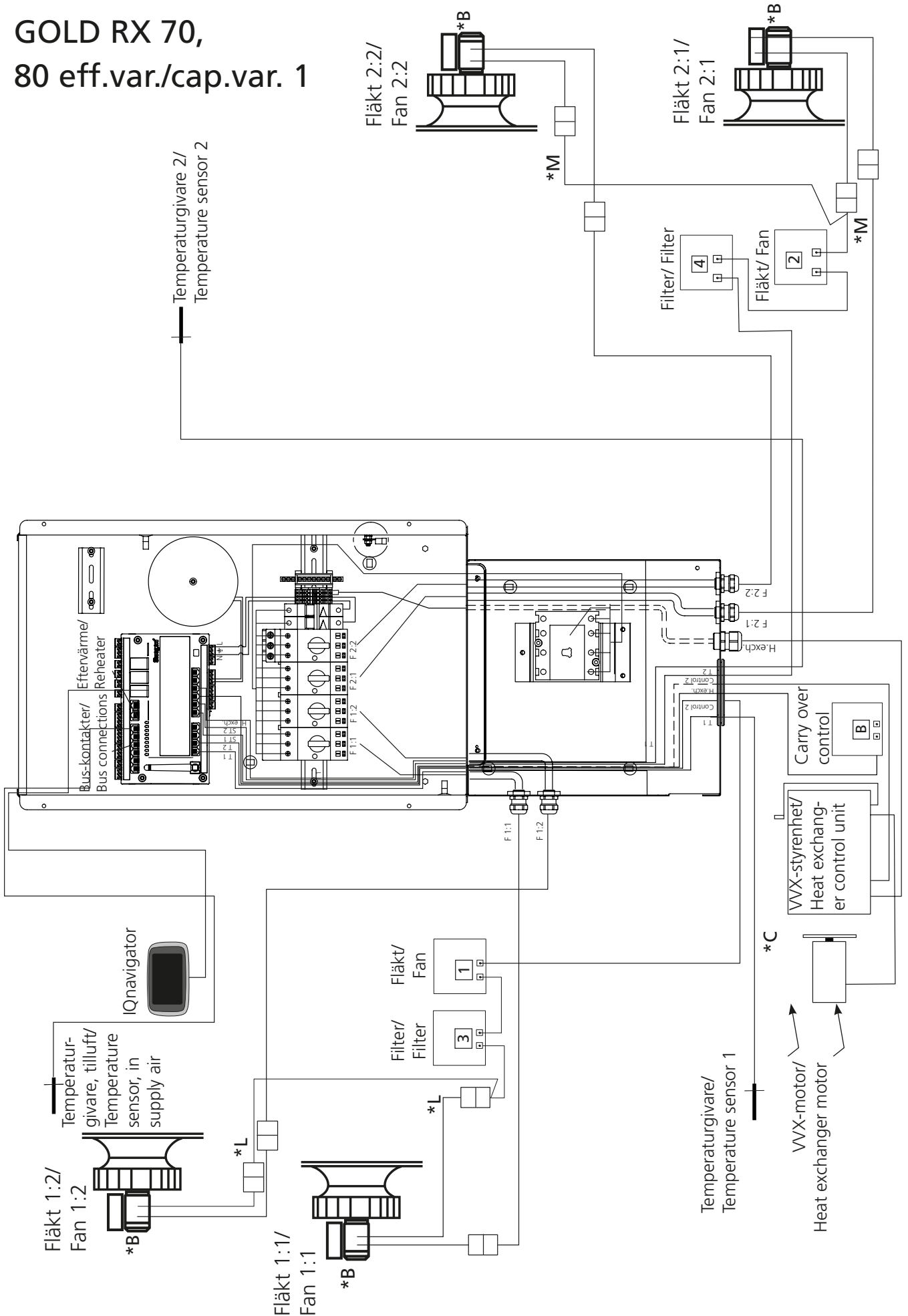
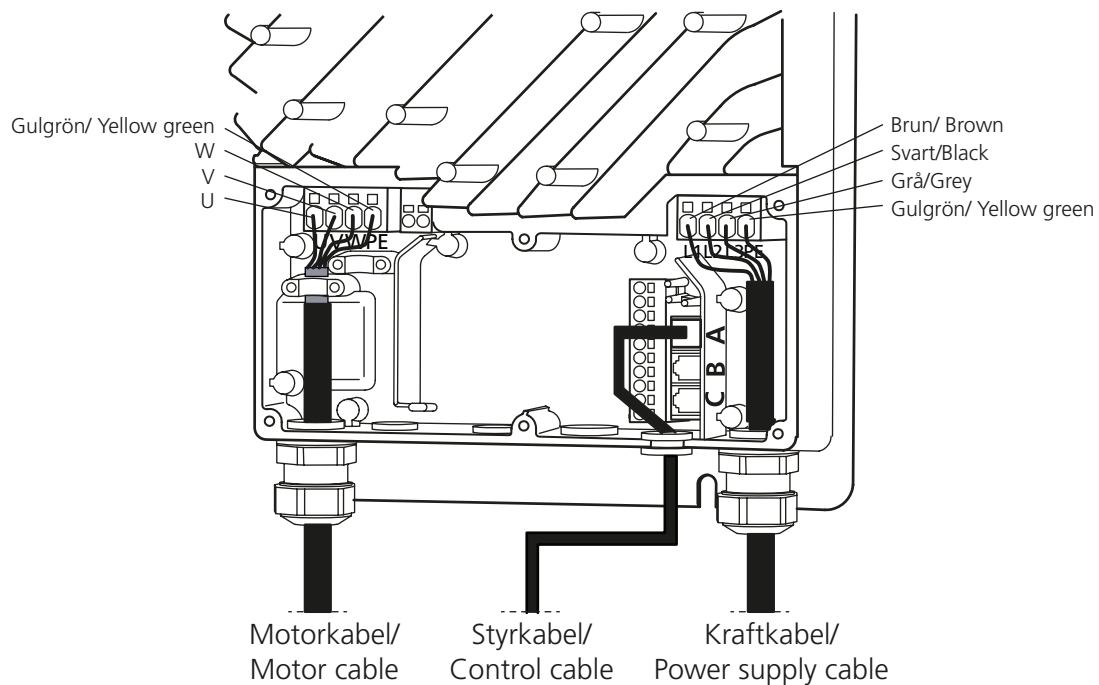


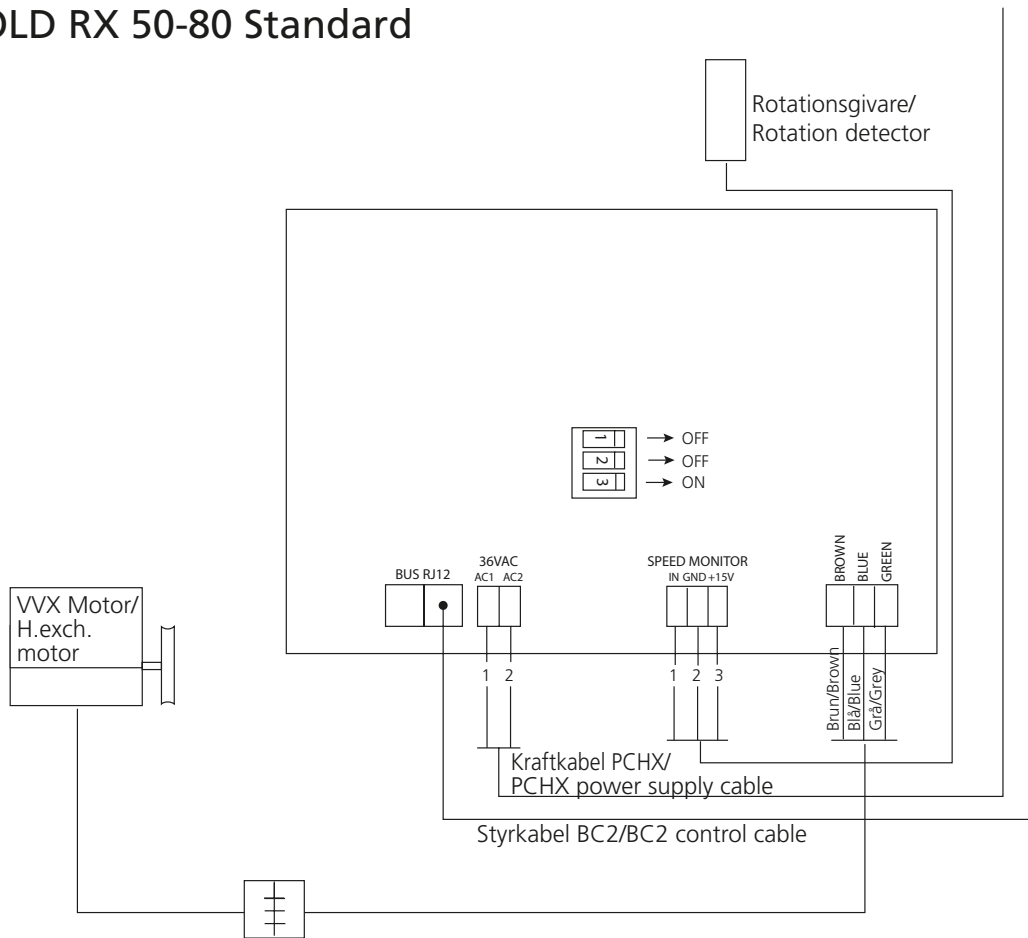
GOLD RX 70, 80 eff.var./cap.var. 1



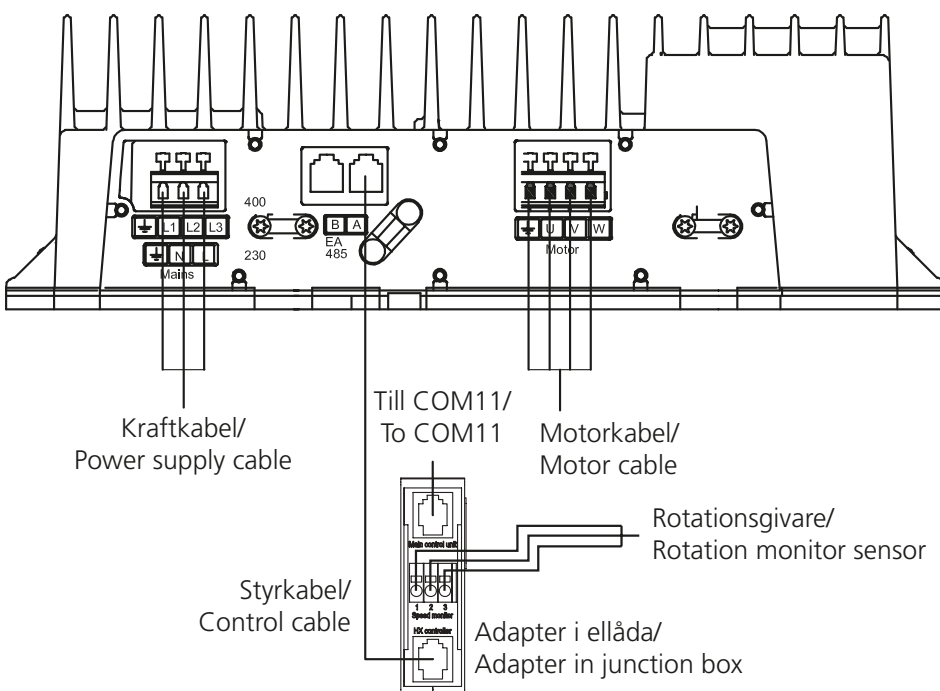
B: GOLD RX/PX/CX/SD 08/11 eff.var./cap.var. 2, 12-120



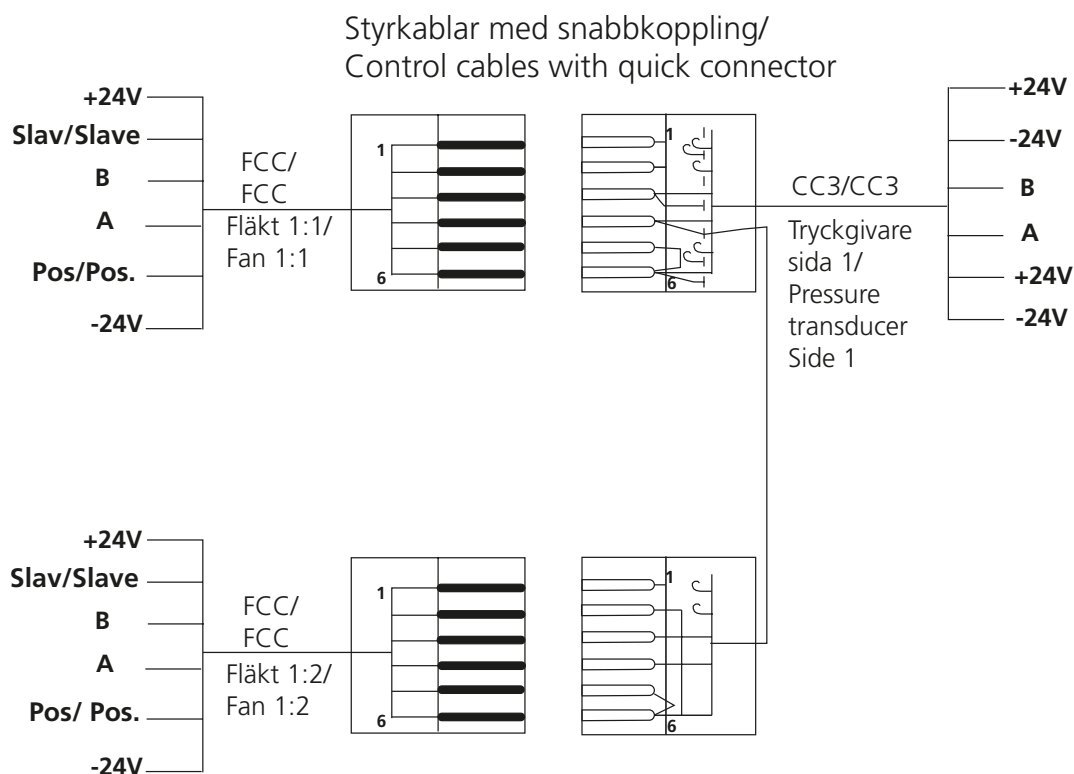
C: GOLD RX 50-80 Standard



C: GOLD RX 50-120 RECOsorptic



L: GOLD RX/PX/CX/SD 50-100



M: GOLD RX/PX/CX/SD 50-100

