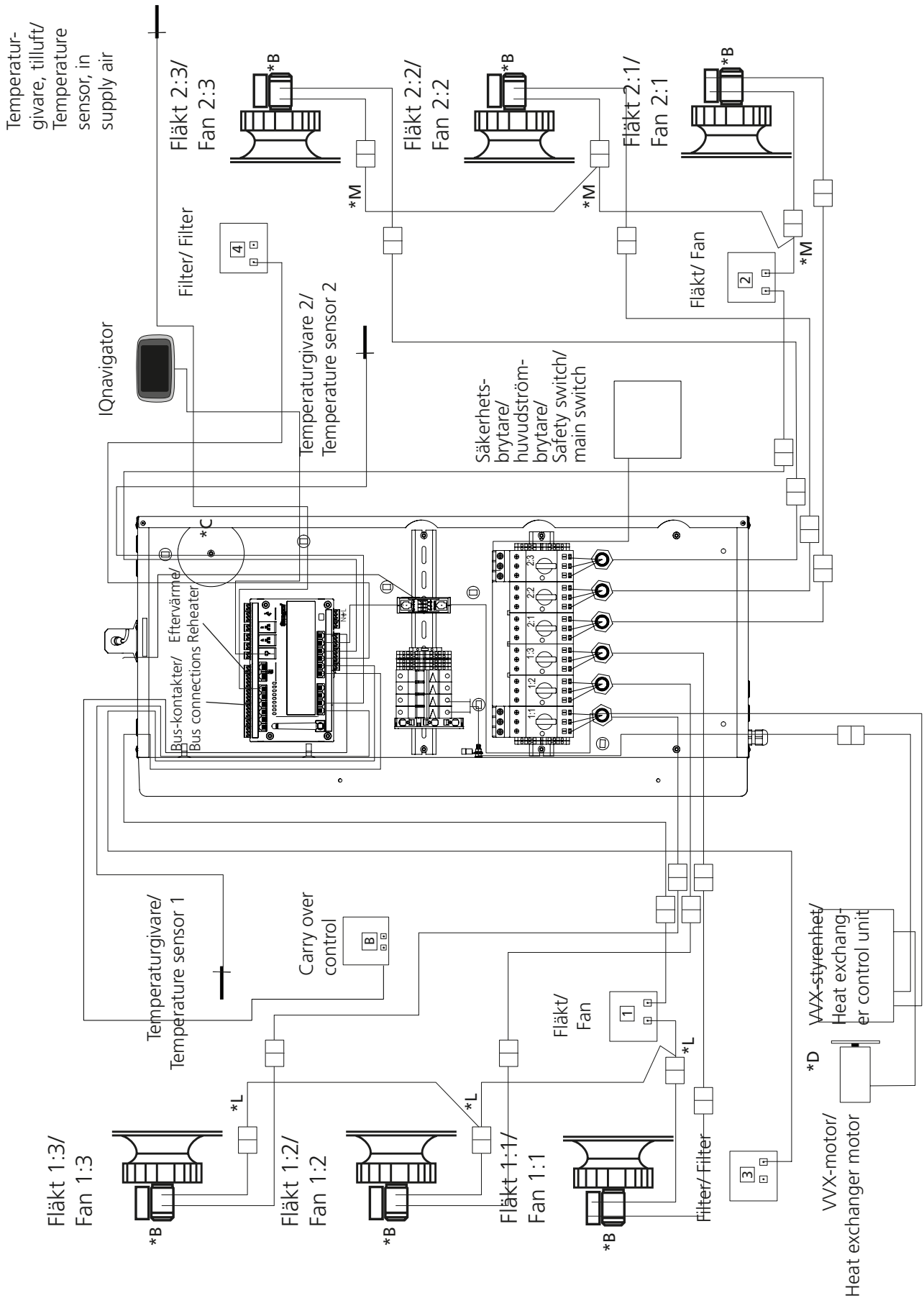
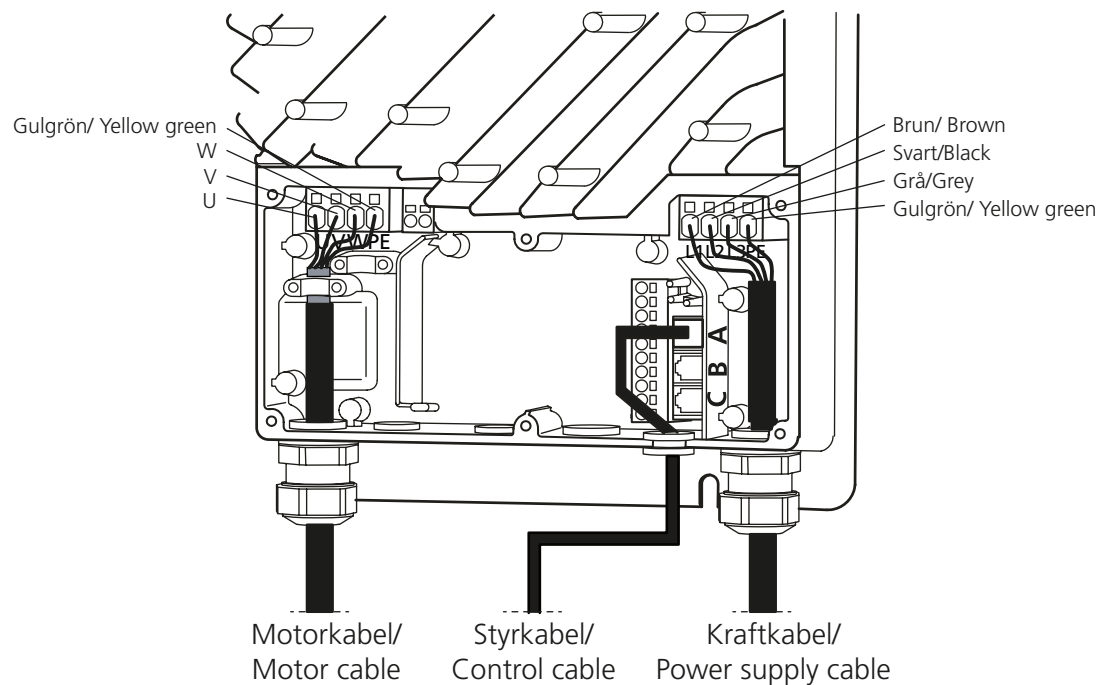


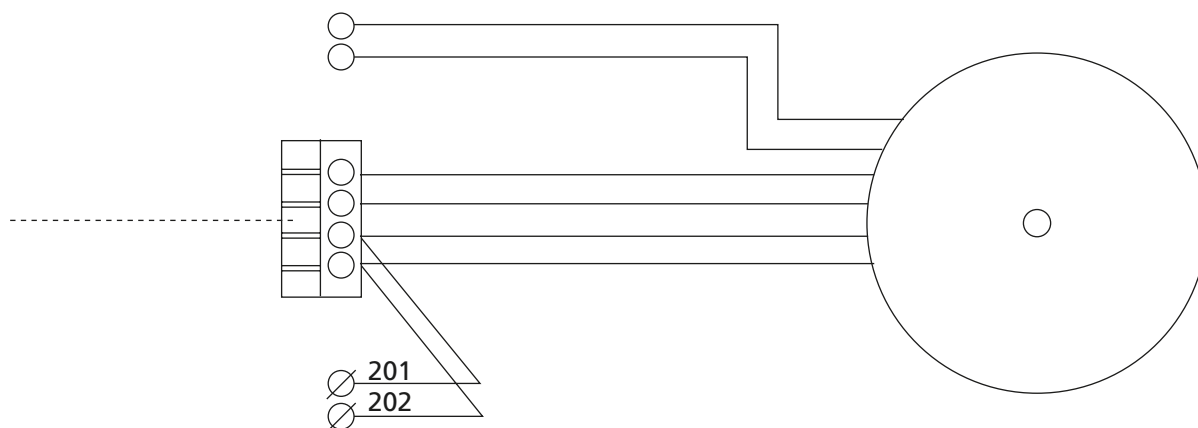
GOLD RX 120 eff.var./cap.var. 1



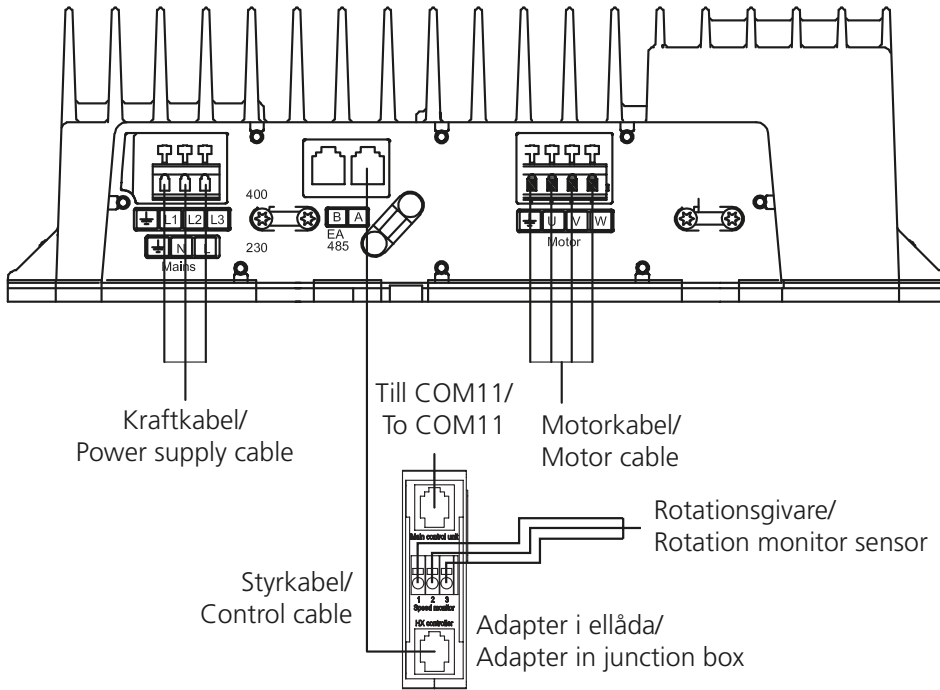
## B: GOLD RX/PX/CX/SD 08/11 eff.var./cap.var. 2, 12-120



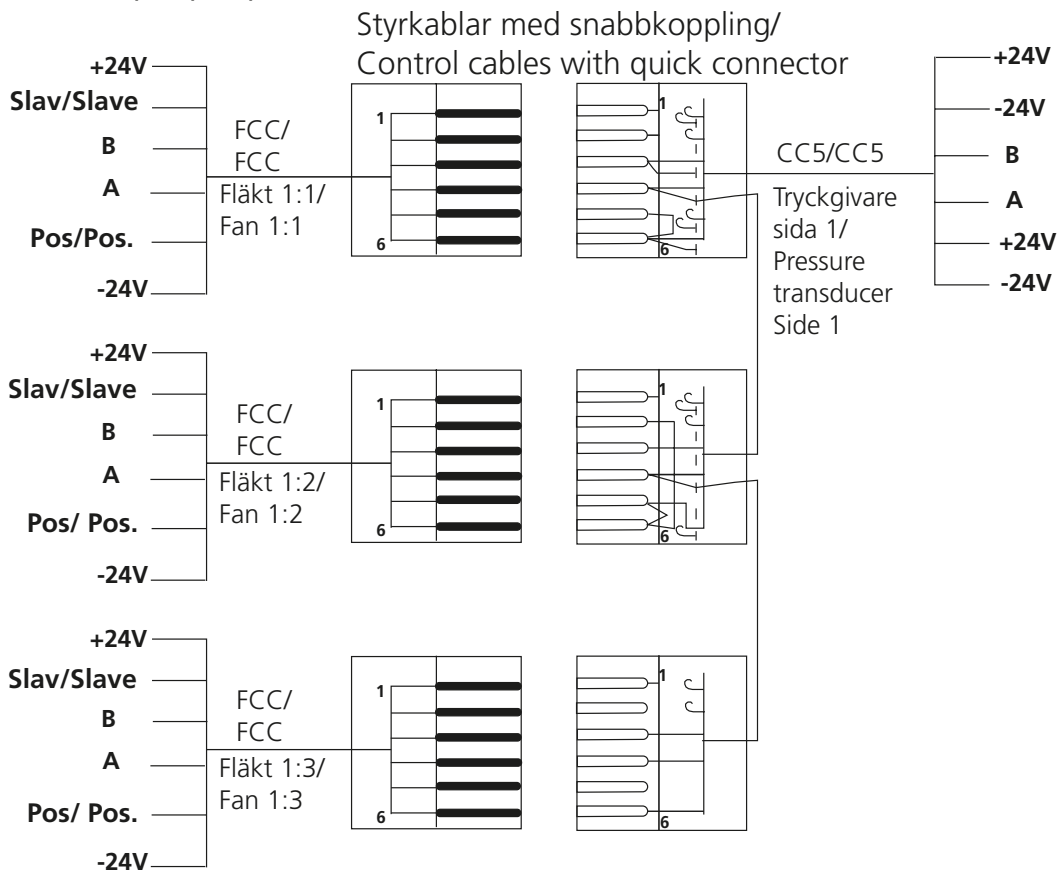
## C: GOLD RX 100/120



D: GOLD RX 50-120 RECOsorptic, 100/120 Standard



L: GOLD RX/PX/CX/SD 120



M: GOLD RX/PX/CX/SD 120

