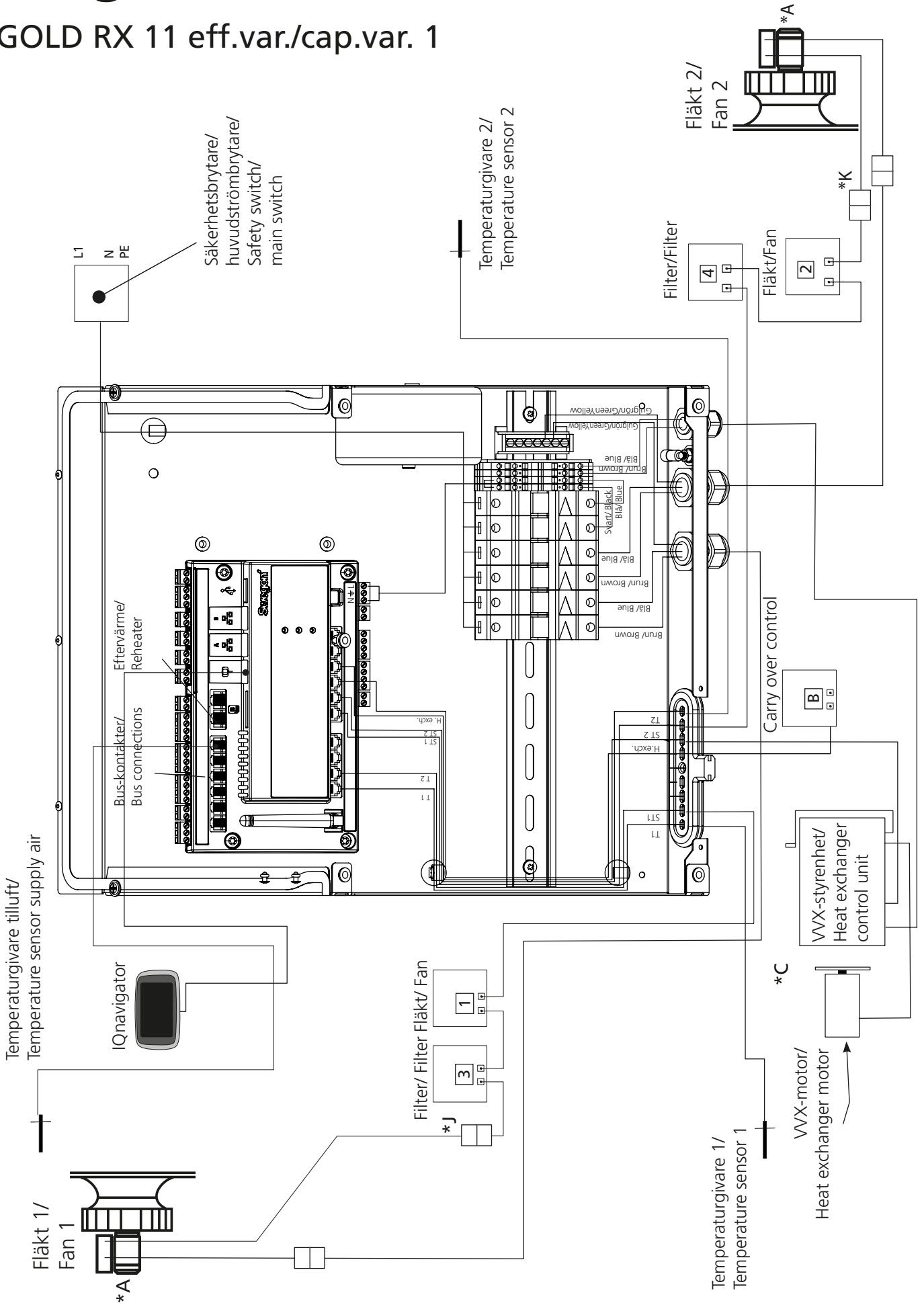
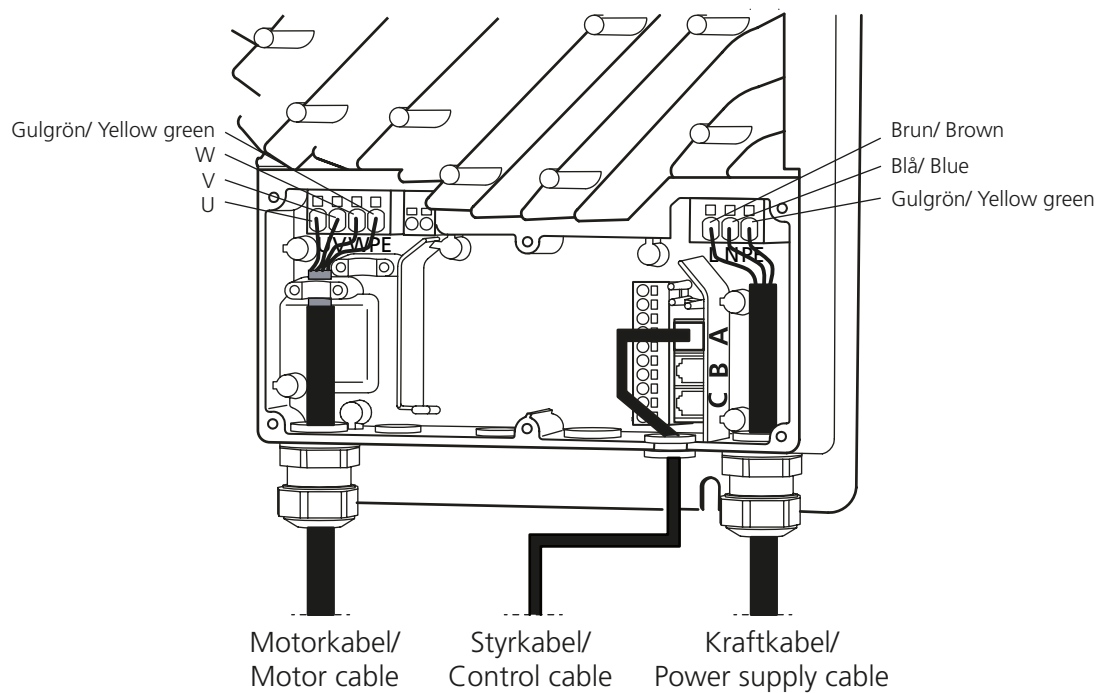


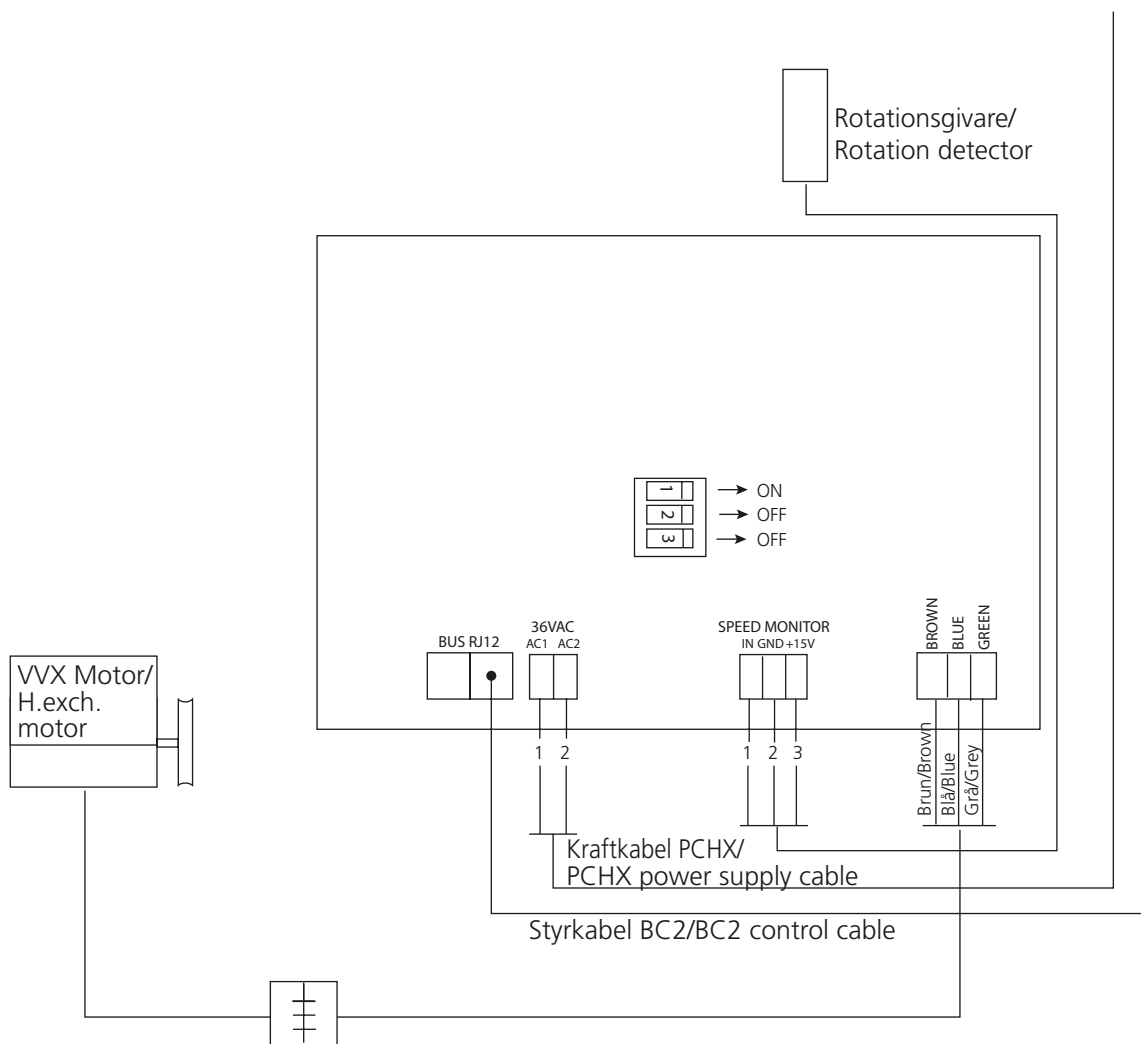
GOLD RX 11 eff.var./cap.var. 1



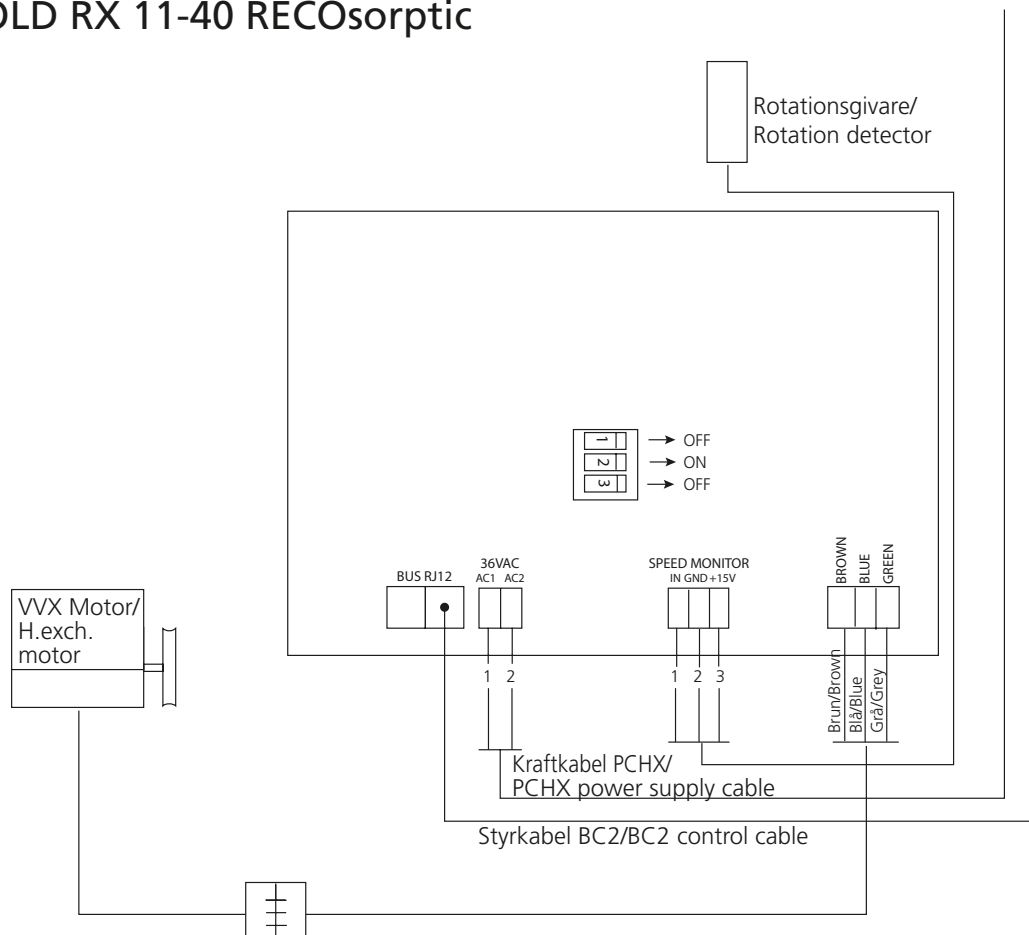
A:



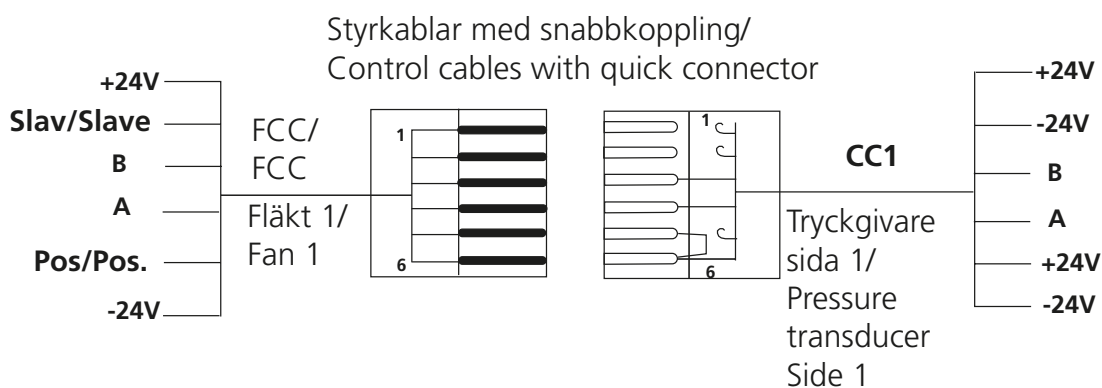
C: GOLD RX 04-30 Standard



C: GOLD RX 11-40 RECOsorptic



J: GOLD RX/PX/CX/SD 04-40



K: GOLD RX/PX/CX/SD 04-40

