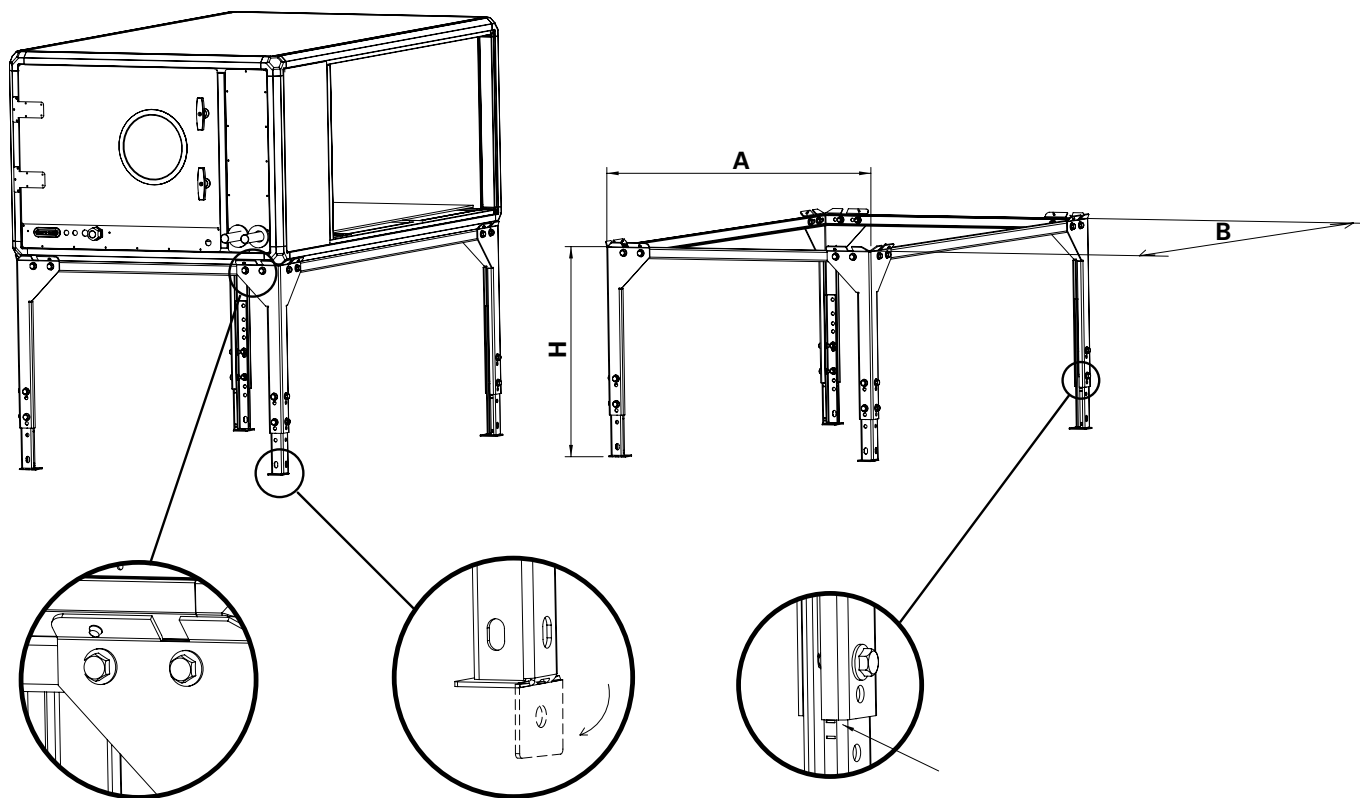


TBLZ102



COOLER	A	B
14	959	1640
18	919	1569

	H
COOLER 14 - GOLD 15 (v. B), GOLD 08 (v. C)	539
COOLER 14 - GOLD 20 (v. B), GOLD 14, 20 (v. C)	800
COOLER 14 - BC 004, BCEA 004	546
COOLER 14 - BC 004, BCEA 004	646
COOLER 18 - GOLD 20 (v. B), GOLD 14, 20 (v. C)	745
COOLER 18 - BC006, BCEA 006	656
COOLER 18 - BC 006, BCEA 006	756